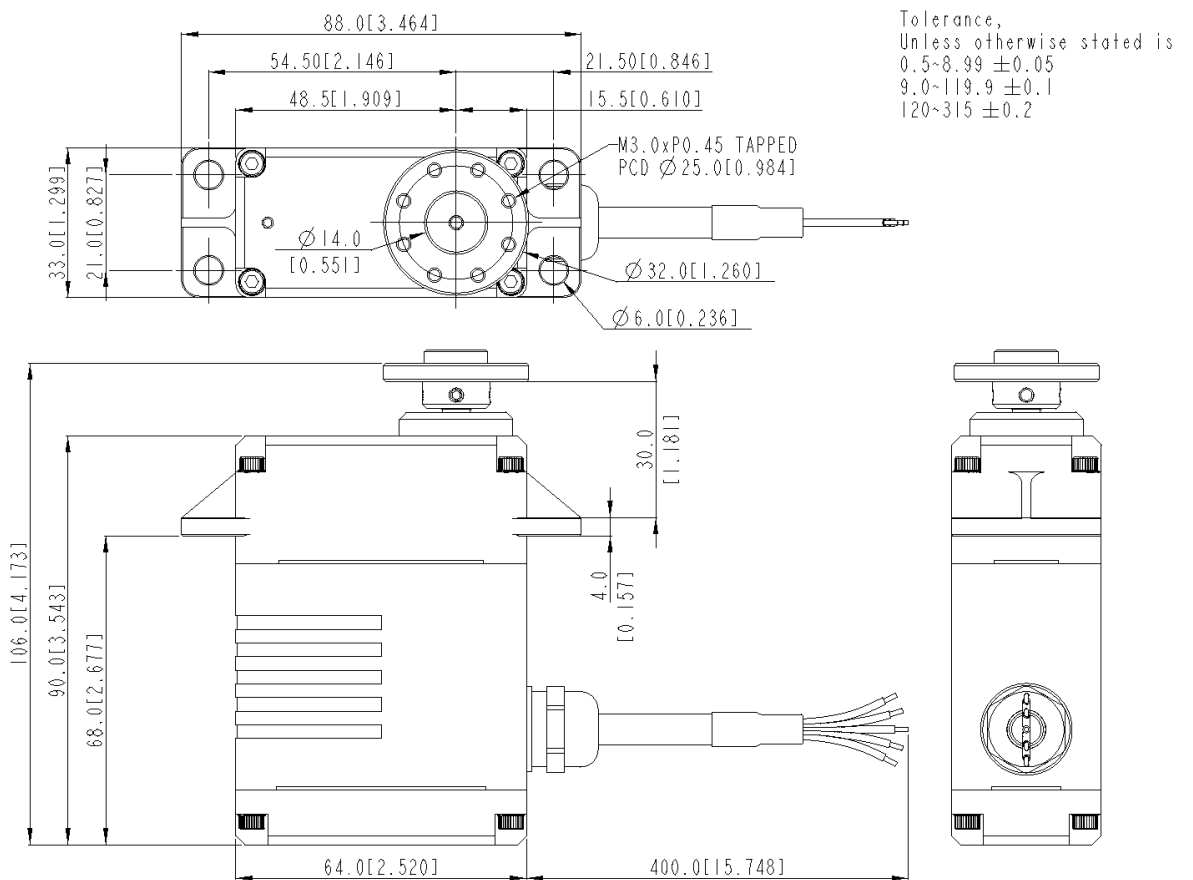


# SG33BL-UAVCAN-Gland General Specification.



## INDUSTRIAL SERVO

Control system	UAVCAN			-
Position sensor type	Contactless Magnetic Encoder			-
Operating voltage range	9.0 ~ 15.0 V			-
Motor type	BLDC			-
Voltage	-	12.0V	-	At 25°C, 45% (±10%) measurement environment
No load speed	-	0.185sec/60°	-	
Stall torque	-	147.0 kgf·cm(2,041.45oz·in)	-	
Standing current	-	20mA	-	
No load running current	-	500mA	-	
Stall current	-	10,000mA	-	
Dead band width	-	-	-	
Operating travel	Servo mode : ±150°			-
Operating temperature range	-20°C ~ +70°C (-4°F ~ +158°F)			-
Vibrations at no load	MIL-STD-810G 514.6C-VII			-
Storage temperature range	-40°C ~ +80°C(-40°F ~ +176°F)			-
Connector wire length	400mm (15.748inch)			
Connector wire gauge	20AWG			
Dimensions	64.0 mm x 33.0 mm x 90.0 mm ( 2.520inch x 1.299inch x 3.543inch )			Refer to the tolerance information
Weight	500.0 g(17.64oz)			Excluding the weight of Horn
Bearing type	6 Ball bearing & 2 Needle bearing			-
Case material	Rugged Aluminum Alloy			-
Gear material	1 Metal-Plastic & 3 Hardened Steel Gears			-
Gear train backlash	Max 0.5°			-
Horn gear spline	Square 6.5x6.5			-
IP rate	IP68			-
Servo Amplifier type	32bit programmable Digital			-
Features				-
Applications				-



3:5 scale (unit : mm)



<https://hitectechnology.com>