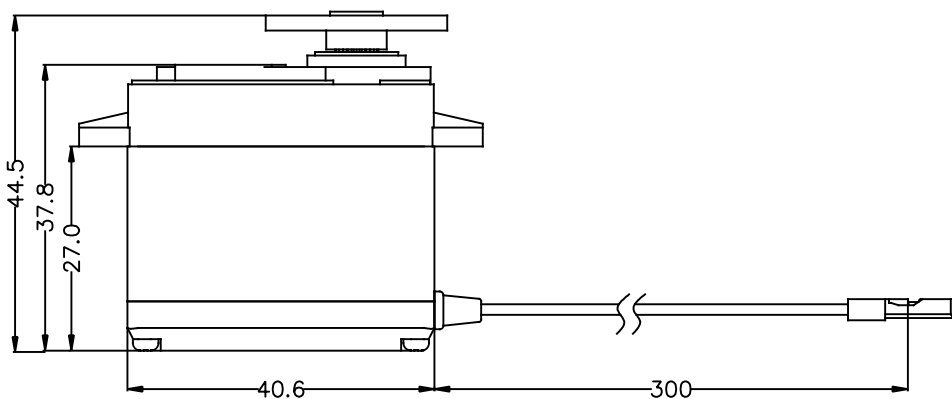
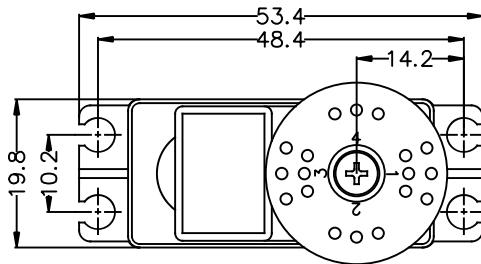


GENERAL SPECIFICATION OF HSR-2645CR CONTINUE ROTATION SERVO

1. TECHNICAL VALUES

CONTROL SYSTEM	: +PULSE WIDTH CONTROL 1500usec NEUTRAL/2000usec FRAME		
OPERATING VOLTAGE RANGE	: 4.8V TO 7.4V		
OPERATING TEMPERATURE RANGE	: -20 TO +60°C(-4°F TO +140°F)		
TEST VOLTAGE	: AT 4.8V	: AT 6.0V	: AT 7.4V
OPERATING SPEED	: 46RPM ±10%	: 58RPM ±10%	: 72RPM ±10%
STALL TORQUE	: 8Kg.cm 111.09oz.in	: 10Kg.cm 138.87oz.in	: 12Kg.cm 166.64oz.in
STANDING TORQUE	: -	: -	: -
IDLE CURRENT	: 3mA	: 3mA	: 3mA
RUNNING CURRENT	: 110mA	: 120mA	: 140mA
STALL CURRENT	: 1700mA	: 2000mA	: 2400mA
DEAD BAND WIDTH	: -	: -	: -
OPERATING ANGLE	: CONTINUE ROTATION		
DIRECTION	: 1500usec +/- 20usec		
MOTOR TYPE	: CARBON BRUSHED CORED MOTOR		
POTENTIOMETER TYPE	: NON		
AMPLIFIER TYPE	: DIGITAL (Programmable)		
DIMENSIONS	: 40.6x19.8x37.8mm(1.59x0.77x1.48in)		
WEIGHT	: 53g(1.87oz)		
BALL BEARING	: DUAL/MR106		
GEAR MATERIAL	: 3 Metal GEARS & 1 METAL PLASTIC GEAR		
HORN GEAR SPLINE	: 24 SEGMENTS/ø5.76		
SPLINED HORNS	: REGULAR/R-0		
CONNECTOR WIRE LENGTH	: 300mm(11.81in)		
CONNECTOR WIRE STRAND COUNTER	: 0.08X60EA		
CONNECTOR WIRE GAUGE	: 20AWG		



2. FEATURES

360° ROTATION
DUAL BALL BEARING

3. APPLICATIONS

ROBOTS
INDUSTRIAL USAGE