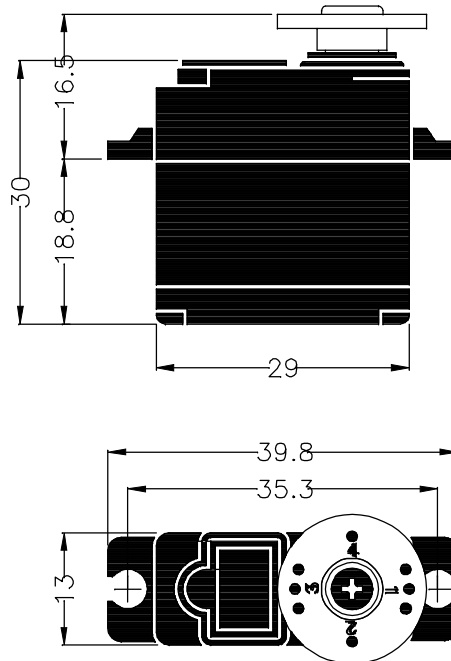


# ANNOUNCED SPECIFICATION OF HS-85MG+ MIGHTY MICRO METAL GEAR SERVO

## 1. TECHNICAL VALUES

CONTROL SYSTEM	: +PULSE WIDTH CONTROL 1500usec NEUTRAL
OPERATING VOLTAGE RANGE	: 4.8V TO 6.0V
OPERATING TEMPERATURE RANGE	: -20°C TO +60°C
TEST VOLTAGE	: AT 4.8V AT 6.0V
OPERATING SPEED	: 0.16sec/60° AT NO LOAD 0.14sec/60° AT NO LOAD
STALL TORQUE	: 3.0kg.cm(41.66oz.in) 3.5kg.cm(48.60oz.in)
OPERATING ANGLE	: 40°/ONE SIDE PULSE TRAVELING 400usec
DIRECTION	: CLOCK WISE/PULSE TRAVELING 1500 TO 1900usec
CURRENT DRAIN	: 8mA/IDLE AND 240mA NO LOAD RUNNING
DEAD BAND WIDTH	: 5usec
CONNECTOR WIRE LENGTH	: 250mm(9.84in)
DIMENSIONS	: 29x13x30mm(1.14x0.51x1.18in)
WEIGHT	: 21.0g(0.77oz)



## 2. FEATURES

- 3-POLES FERRITE MOTOR
- ONE BALL BEARING
- DIRECT POTENTIOMETER DRIVE
- HYBRID I.C
- 4-METAL GEARS

## 3. APPLICATIONS

- FAST ELECTRIC BOATS
- ROCKET PLANES AND SAILPLANE WINGS