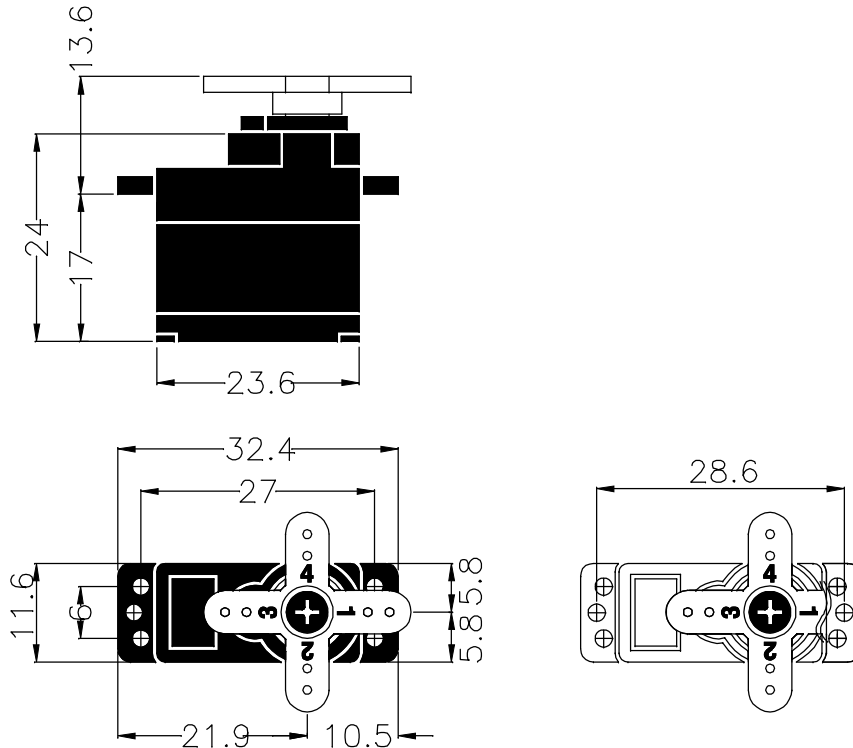


GENERAL SPECIFICATION OF HS-65HB MIGHTY FEATHER SERVO

1. TECHNICAL VALUE

CONTROL SYSTEM	: +PULSE WIDTH CONTROL 1500usec NEUTRAL	
OPERATING VOLTAGE RANGE	: 4.8V TO 6.0V	
OPERATING TEMPERATURE RANGE	: -20°C TO +60°C (-4°F TO +140°F)	
TEST VOLTAGE	: AT 4.8V	AT 6.0V
OPERATING SPEED	: 0.14sec/60° AT NO LOAD	0.11sec/60° AT NO LOAD
STALL TORQUE	: 1.8kg.cm(24.99oz.in)	2.2kg.cm(30.55oz.in)
STANDING TORQUE	: 1.4kg.cm(19.44oz.in)/5° HOLDOUT	1.8kg.cm(24.99oz.in)/5° HOLDOUT
IDLE CURRENT	: 8mA AT STOPPED	8mA AT STOPPED
RUNNING CURRENT	: 180mA/60° AT NO LOAD	220mA/60° AT NO LOAD
STALL CURRENT	: 960mA	1200mA
DEAD BAND WIDTH	: 5usec	5usec
OPERATING TRAVEL	: 40°/ONE SIDE PULSE TRAVELING 400usec	
DIRECTION	: CLOCK WISE/PULSE TRAVELING 1500 TO 1900usec	
MOTOR TYPE	: CORED METAL BRUSH/Nd MAGNET	
POTENTIOMETER TYPE	: 2 SLIDER/DIRECT DRIVE	
AMPLIFIER TYPE	: ANALOG S.M.T	
DIMENSIONS	: 23.6x11.6x24mm(0.92x0.45x0.94in)	
WEIGHT	: 11.2g(0.39oz)	
BALL BEARING	: SINGLE/MR85	
GEAR MATERIAL	: HEAVY DUTY RESIN	
HORN GEAR SPLINE	: 25 SEGMENTS/Ø5	
SPLINED HORNS	: MICRO23: M23-I, M23-X	
CONNECTOR WIRE LENGTH	: 160mm(6.29in)	
CONNECTOR WIRE STRAND COUNTER	: 20 EA	
CONNECTOR WIRE GAUGE	: 28AWG	



2. FEATURES

HEAVY DUTY RESIN GEARS WITH BALL BEARING
HIGH EFFICIENCY Nd MAGNET MOTOR

3. APPLICATIONS

FAST PARK FLYING MODELS. ELECTRIC MICRO PLANE, MAV
1/18 SCALE CARS