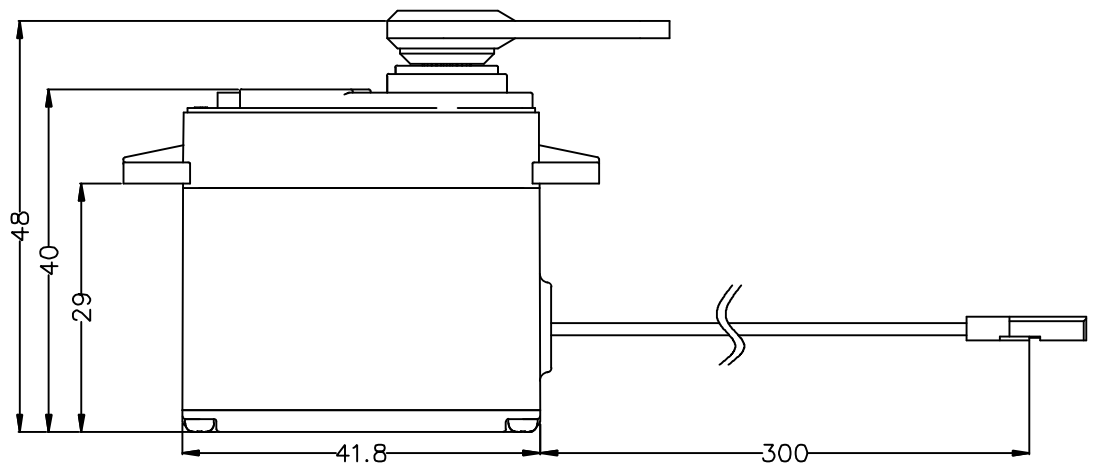
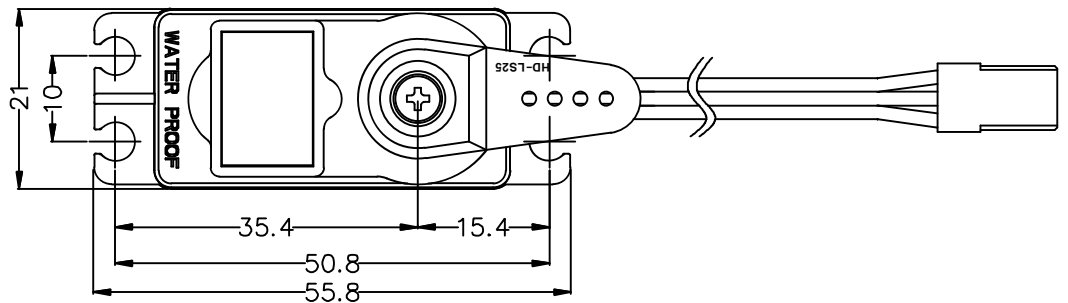


GENERAL SPECIFICATION OF D646WP TORQUE TYPE WATER PROOF SERVO

1. TECHNICAL VALUE

CONTROL SYSTEM	: +PULSE WIDTH CONTROL 1500usec NEUTRAL		
OPERATING VOLTAGE RANGE	: 4.8V TO 7.4V		
OPERATING TEMPERATURE RANGE	: -20°C TO +60°C (-4°F TO +140°F)		
TEST VOLTAGE	: AT 4.8V	: AT 6.0V	: AT 7.4V
OPERATING SPEED	: 0.24sec/60°	: 0.19sec/60°	: 0.16sec/60°
STALL TORQUE	: 7.5kg.cm(104.72oz.in)	: 9.6kg.cm(134.05oz.in)	: 11.6kg.cm(161.98oz.in)
STANDING TORQUE	: -		
IDLE CURRENT	: 30mA AT STOPPED	: 30mA AT STOPPED	: 30mA AT STOPPED
RUNNING CURRENT	: 270mA	: 300mA	: 330mA
STALL CURRENT	: 1500mA	: 1800mA	: 2200mA
DEAD BAND WIDTH	: 2usec		
OPERATING TRAVEL	: 40±5°/ONE SIDE PULSE TRAVELING 400usec		
DIRECTION	: CLOCK WISE/PULSE TRAVELING 1500 TO 1900usec		
MOTOR TYPE	: CORED CABON BRUSH		
POTENTIOMETER TYPE	: 4 SLIDER/1M CYCLE LONG LIFE/INDIRECT DRIVE		
AMPLIFIER TYPE	: NUVOTON 32BIT MCU DIGITAL AMPLIFIER WITH MOSFET DRIVE		
DIMENSIONS	: 41.8x21.0x40.0mm(1.65x0.83x1.57in)		
WEIGHT	: 61g(2.15oz)		
BALL BEARING	: DUAL MR106		
GEAR MATERIAL	: 3 Metal gears & 1 MP first gear		
HORN GEAR SPLINE	: 25 SEGMENTS/∅6.0		
SPLINED HORNS	: HEAVY DUTY/HD-LS25, HD-IM25, HD-OS25 and HD-X25		
CONNECTOR WIRE LENGTH	: 300mm(11.81in)		
CONNECTOR WIRE STRAND COUNTER	: 0.08X60EA		
CONNECTOR WIRE GAUGE	: 22AWG		
Duration of the test in water	: 30min		



2. FEATURES

- IP67 WATER PROOF CASE
- DURABLE METAL GEARS WITH BALL BEARING
- PROGRAMABLE
- HEAVY DUTY SPLINED HORNS

3. APPLICATIONS

- GAS & ELECTRIC CARS
- BOATS