

HITEC ALL SERVO HORN



HITEC RCD KOREA, INC.
www.hitecrd.co.kr

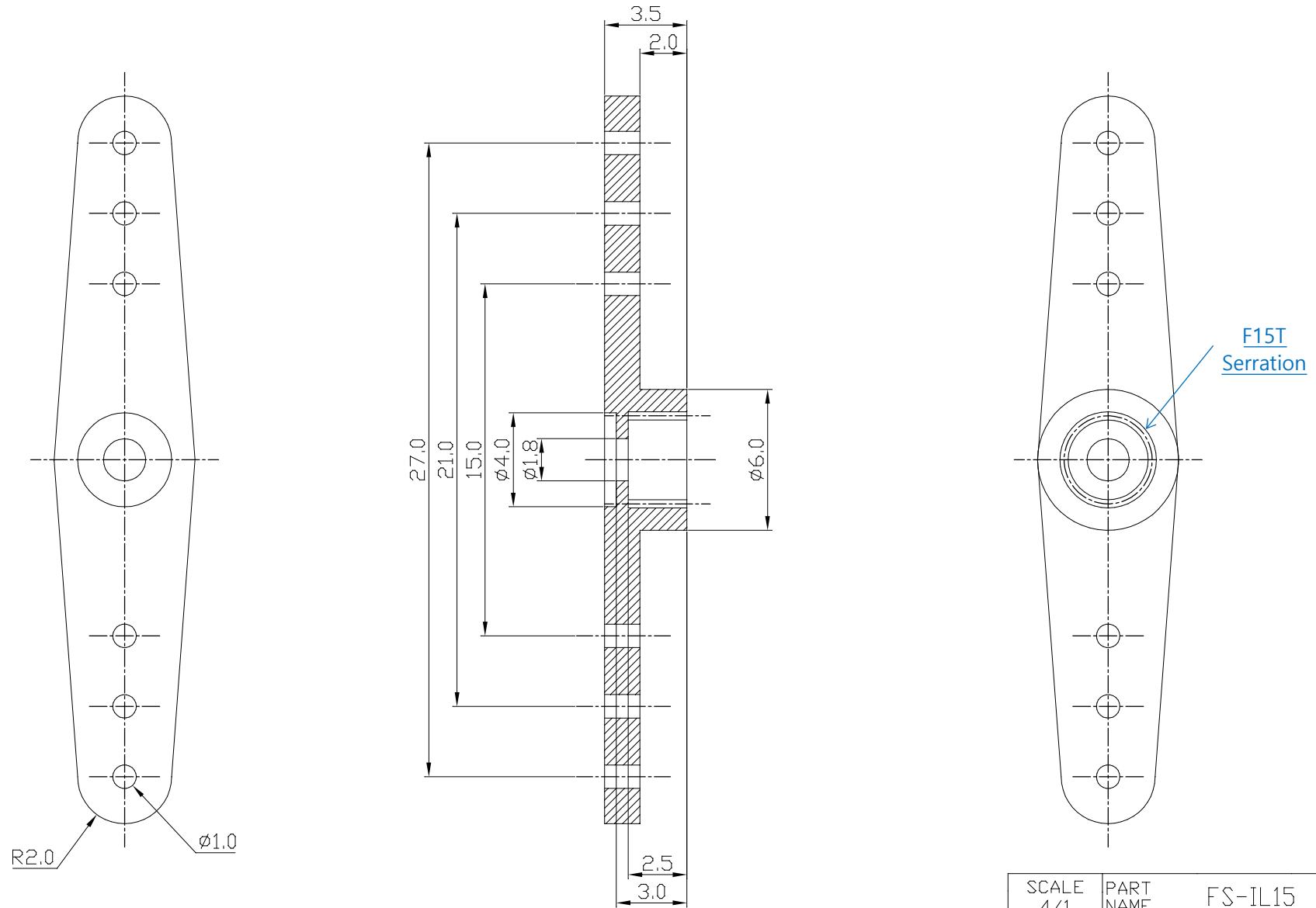
SERVO HORN INFORMATION

[밑줄 글자](#) 클릭 시 해당 도면으로 이동

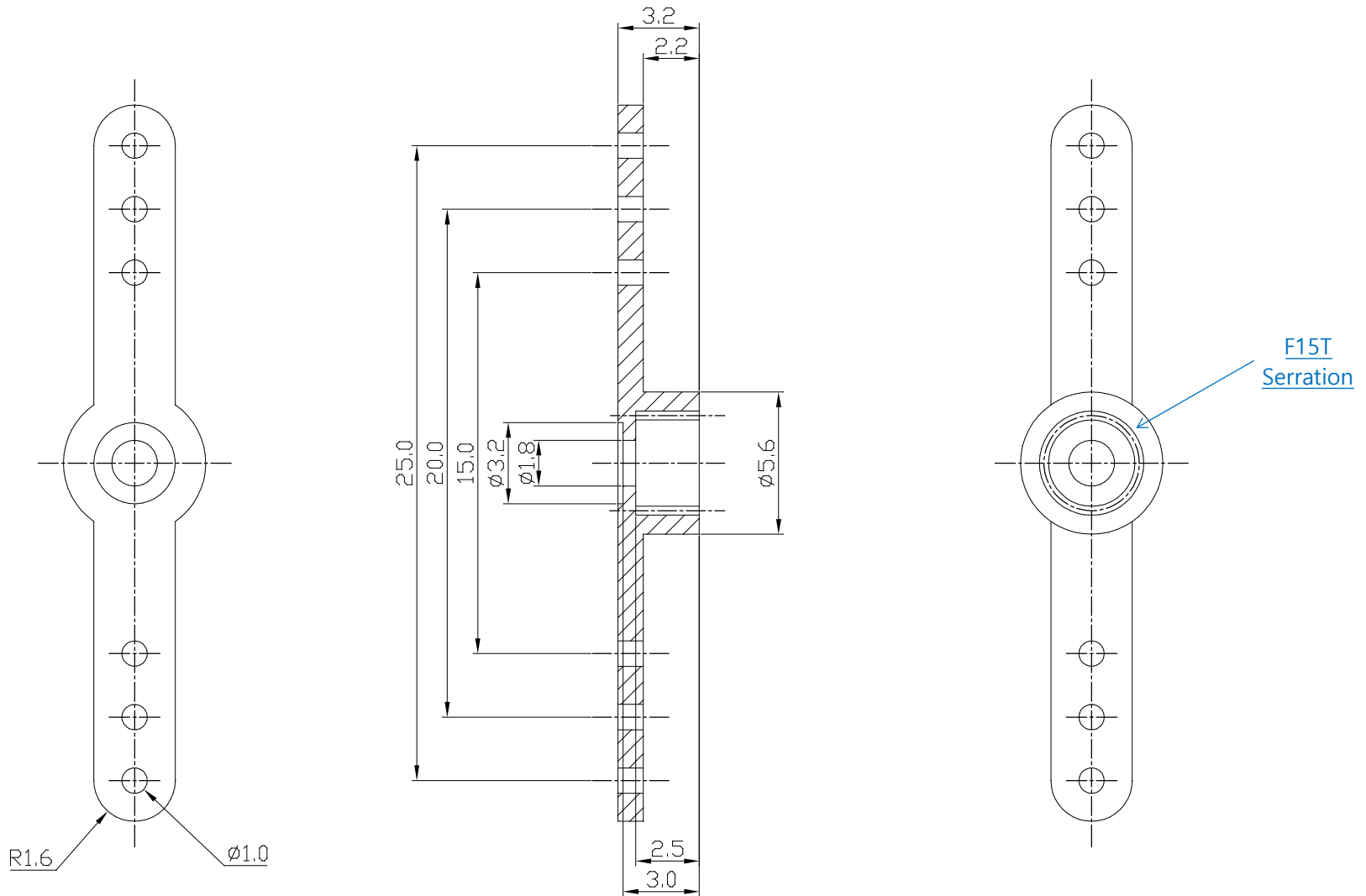
Click [the underlined text](#) to go to the drawing



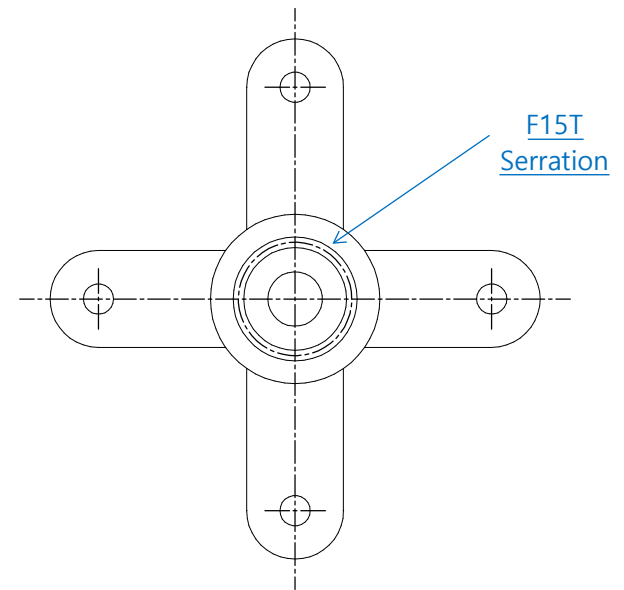
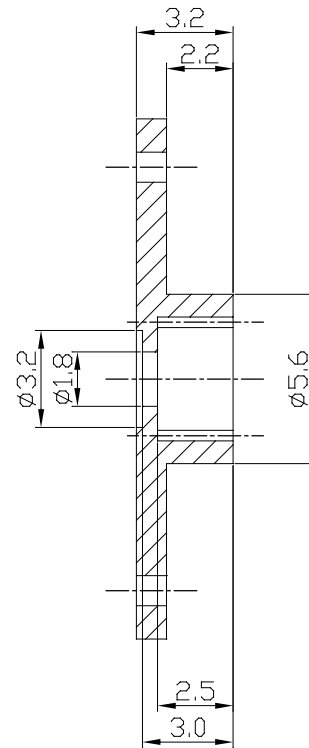
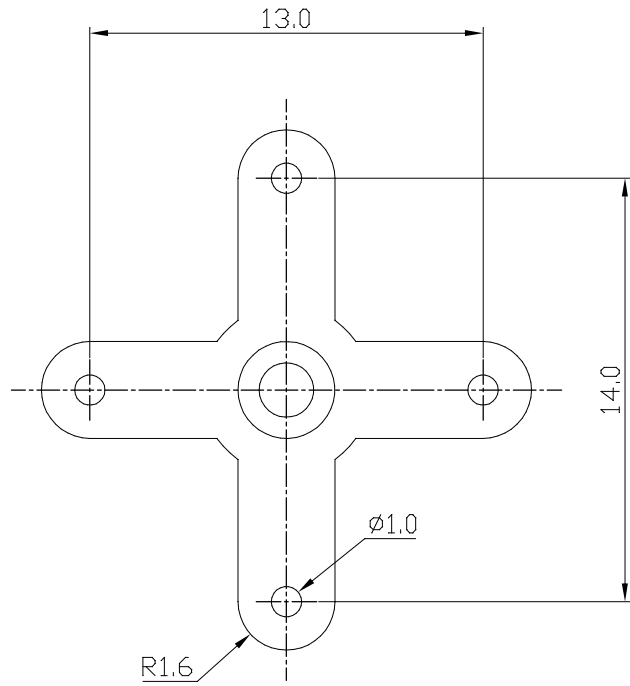
Sort	Serration	Horn Type	Servos				
Feather Horn	F15T (Ø4.0)	FS-IL15 FS-IS15 FS-X15 HD-M15-L FS-IXL15	HS-40 HS-45HB HS-53	HS-55 HS-5055MG HS-7115TH			
Micro Horn	Micro 25T (Ø5.0)	MS-I25 MS-L25 MS-X25	HS-65HB HS-65MG HS-66MG HS-70MG HS-125MG	HS-5070MH HS-5125MG HS-8145SH D65MG D66MG	D131MW D141SH D145SW MD65MG MD70MH	MD146SW MD65MG-CAN MD70MH-CAN MD145SW-CAN	
Metal Horn		MS-ML25	HS-145SH HS-5065MG	D66UHD D71MH	MD141SH MD145SW		
Micro Horn	H24T (Ø5.76)	M-I24 M-X24 M-O24	HS-75BB HS-81	HS-485HB HS-625MG	HS-5585MH HS-5625MG	D85MG MD85MG	
Regular Horn		R-O24 R-I24 R-X24 R-C R-D	HS-82MG HS-85BB HS-85MG	HS-645MG HS-646WP HS-700BB	HS-5645MG HS-5646WP HS-5685MH	MD85MG-CAN	
Heavy Duty Horn		HD-IL24 HD-IM24 HD-IS24 HD-LS24 HD-IG24 HD-LL24 HD-LG24 HD-OS24	HS-225BB HS-225MG HS-310 HS-311	HS-755HB HS-755MG HS-5085MG HS-M5085MG	HS-7245MH HS-7950TH HS-7954SH HS-7955TG		
Quarter Scale Horn		Q-O24 Q-I24 Q-X24	HS-312 HS-322HD	HS-5086WP HS-5087MH	HS-7980TH HS-7985MG		
Super Horn		R-XA24	HS-323HD	HS-5245MG	HS-M7990TH		
Spool Drum Horn		SP-24	HS-325HB	HS-5485HB	HSR-1425CR		
Sail Arm Horn		715SA-24	HS-422	HS-5495BH	HSR-2645CR		
Metal Horn		R-ML24 R-MO24 Q-MI24	HS-425BB HS-430BH	HS-5496MH HS-5565MH	HSR-5980SG HSR-5990TG		
Heavy Duty Horn		H25T (Ø6.0)	HD-IM25 HD-LS25 HD-OS25 HD-XS25 HD-IL25 HD-LL25 HD-IG25 HD-LG25	HS-318 HS-488 HS-788 HS-8775MG HS-M9362TH HS-M9382TH	HSR-M9362TH HSR-M9382TH D89MW D485HW D625MW D645MW	DB777WP DB778WP DB950 DB961WP MD89MW MD245MW	RD668MW MD245MW-RS485 MD250MW-RS485 MD950TW-RS485 MD980TW-RS485 MD89MW-CAN MD245MW
Micro Horn			M-O25 M-I25 M-X25	HSB-9360TH HSB-9370TH HSB-9380TH HSB-9381TH	D646WP D668WP D941TW D946TW	MD250MW MD251SW MD485HW MD950TW	MD245MW-CAN MD250MW-CAN MD940SW-CAN MD950TW-CAN
Regular Horn	R-O25 R-I25 R-X25		HSB-9465SH HSB-9485SH HSB-M9380TH HSB-M9381TH	D950TW D951TW D954SW D955TW	MD980TW MD981TW MDB778WP MDB952SH	MDB778WP-CAN MDB952SH-CAN MDB961WP-CAN	
Spool Drum Horn	SP-25		HSR-2648CR	D956WP	MDB961WP		
Metal Horn	R-ML25		HSR-3645MG	D980TW	MDB991SW		
Mega Horn	15T (Ø8.0)		Q-OA15 Q-IA15 Q-XA15	HS-805BB+ HS-805MG	HS-5765MH D840WP D845WP	MDR845WP	
Sail Arm Horn			825SA-15	HS-1005SGT	MD1100WP		
Metal Horn			Q-MIA15 I-MO15	HS-1100WP	MD845WP		
Square Horn	Square 4		MIS4-A	SG10BL			
	Square 5		MIS5-A	SG15BL			
	Square 6.5	MOS6.5-S MOS6.5-A MIS6.5-A	SG20BL SG29BL	SG33BL			
	Square 10	MOS10-A	SR33BL				
	Square 12	MOS12-S	SG50BL				



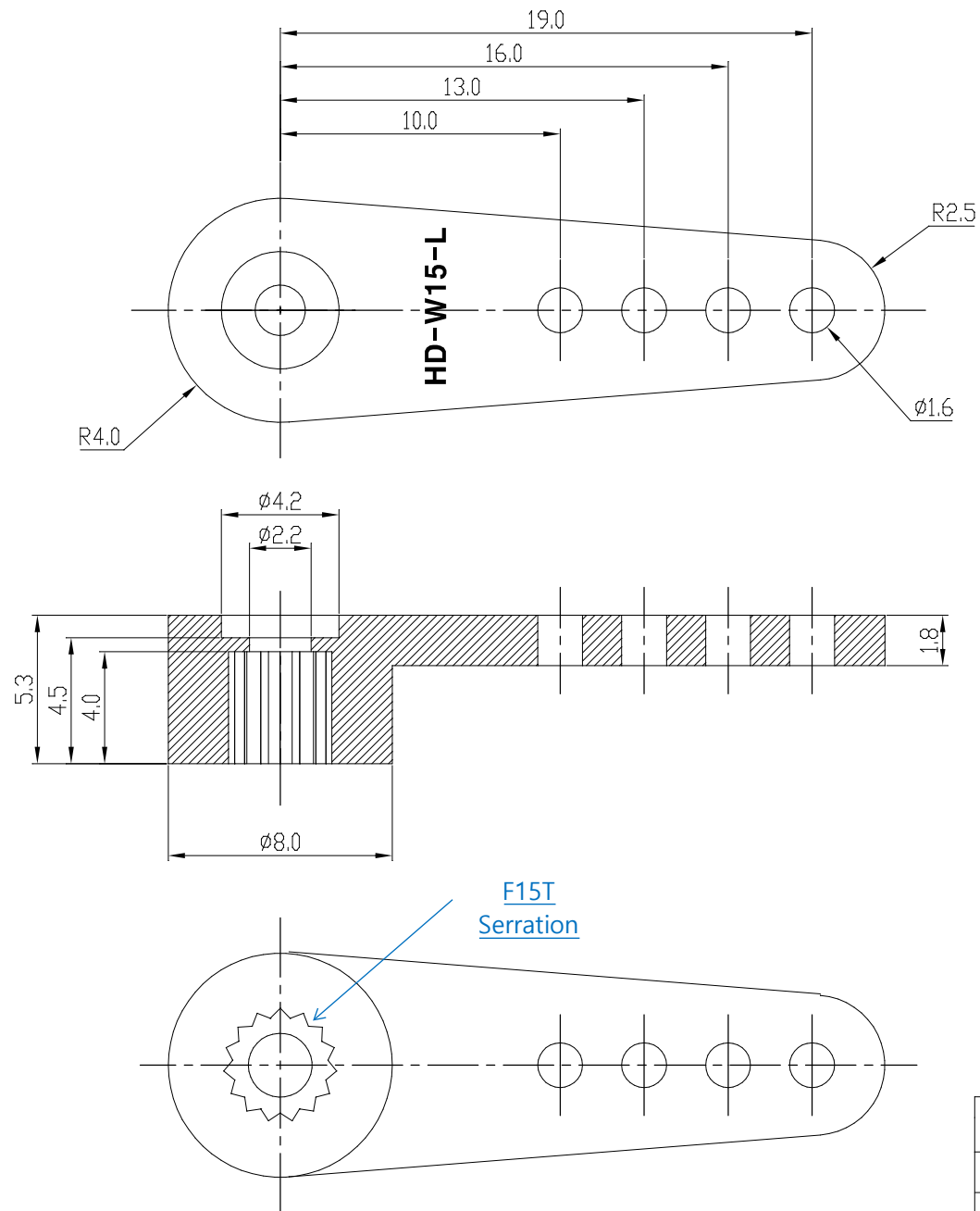
SCALE 4/1	PART NAME FS-IL15
UNIT : mm	TYPE FEATHER HORN
Tolerance 0.5~8.99 ±0.05 9.0~119.9 ±0.1 120~315 ±0.2	



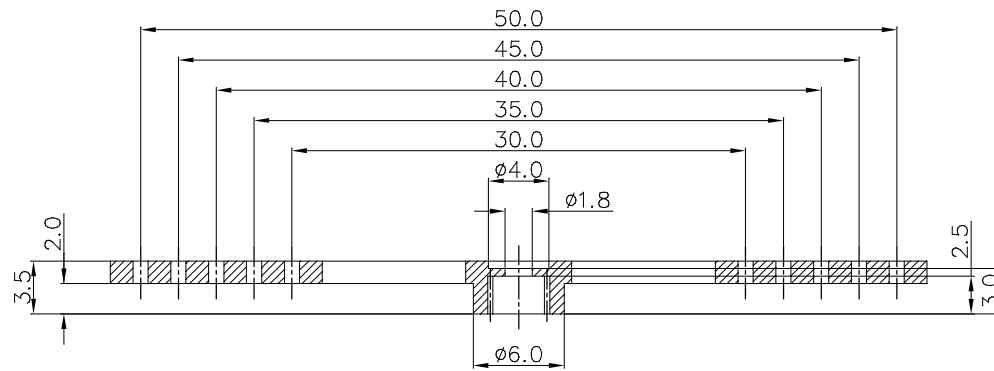
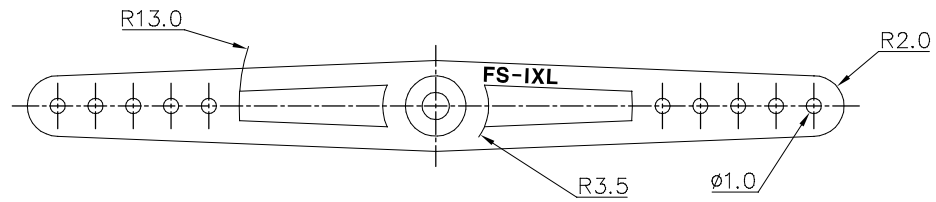
SCALE 4/1	PART NAME FS-IS15
UNIT : mm	TYPE FEATHER HORN
Tolerance 0.5~8.99 ±0.05 9.0~119.9 ±0.1 120~315 ±0.2	



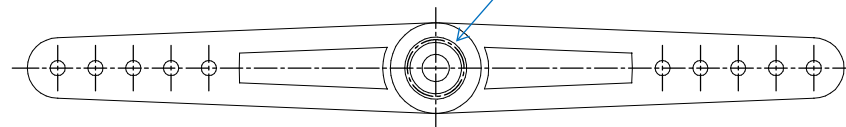
SCALE 4/1	PART NAME	FS-X15
UNIT : mm	TYPE	FEATHER HORN
Tolerance 0.5~8.99 ±0.05 9.0~119.9 ±0.1 120~315 ±0.2		



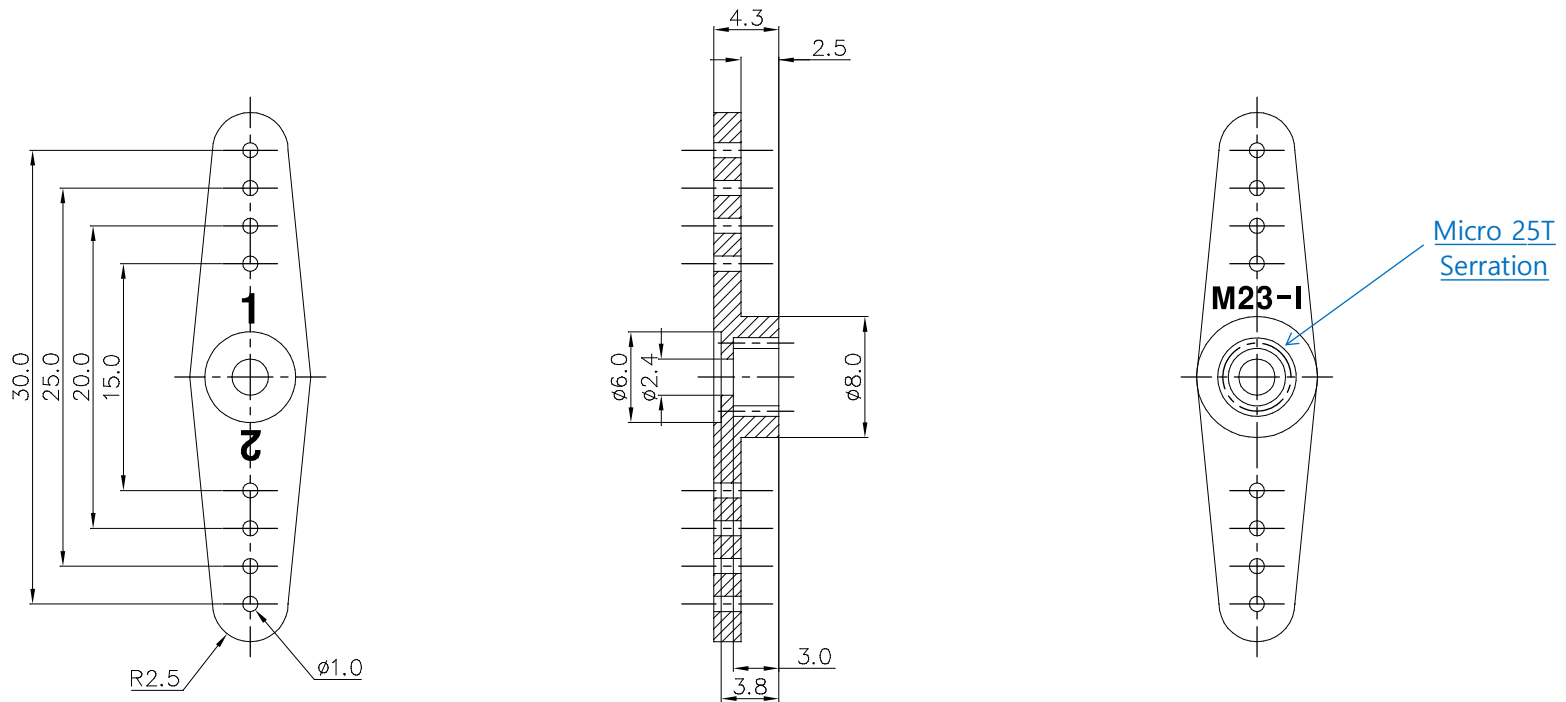
SCALE 4/1	PART NAME HD-M15-L
UNIT : mm	TYPE FEATHER HORN
Tolerance 0.5-8.99 ±0.05 9.0-119.9 ±0.1 120-315 ±0.2	HITEC



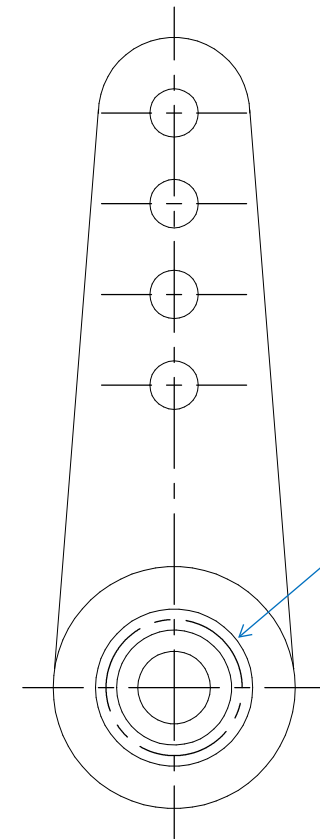
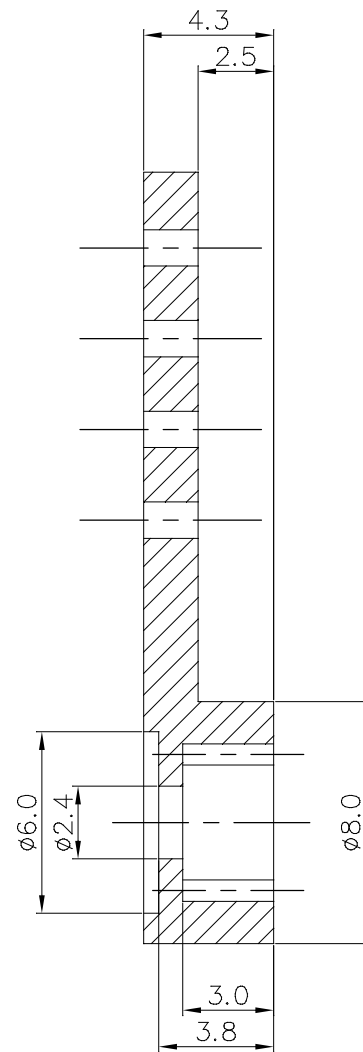
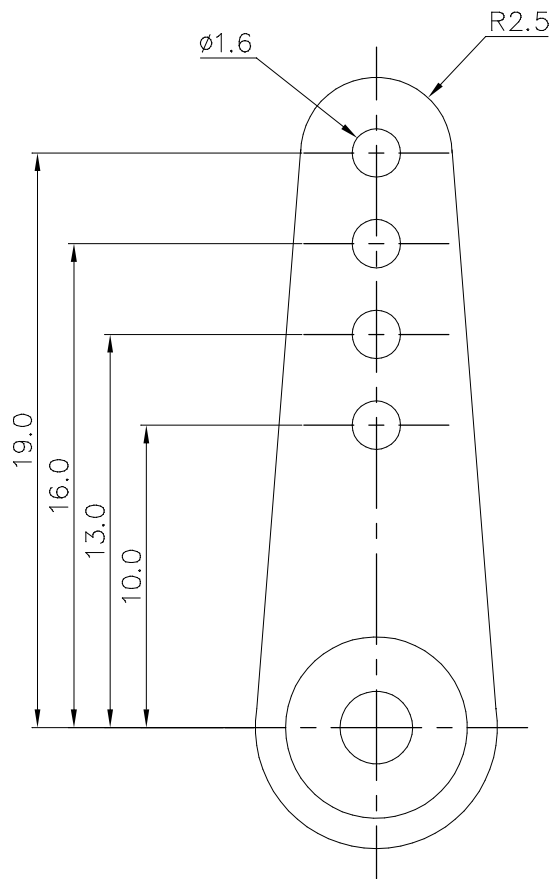
F15T
Serration




SCALE 2/1	PART NAME FS-IXL15
UNIT : mm	TYPE FEATHER HORN
Tolerance 0.5-8.99 ±0.05 9.0-119.9 ±0.1 120-315 ±0.2	

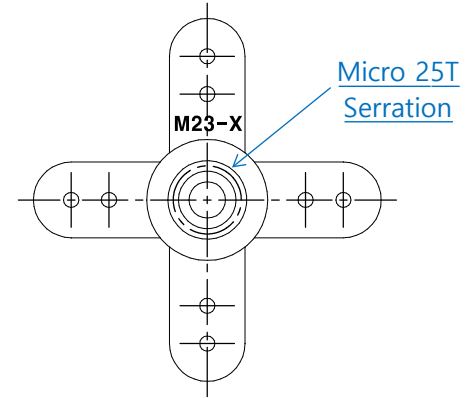
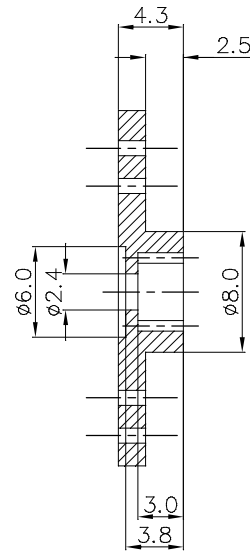
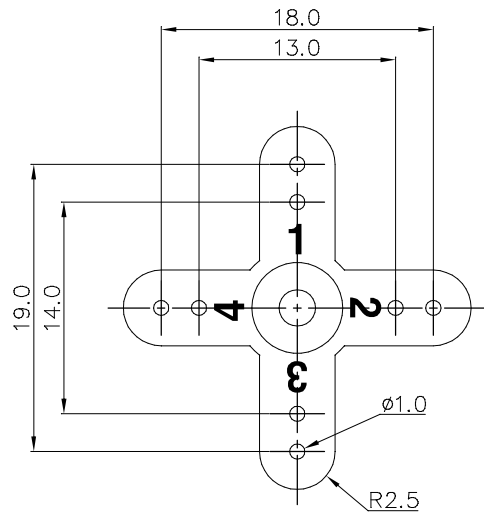


SCALE 2/1	PART NAME MS-I25
UNIT : mm	TYPE MICRO HORN
Tolerance 0.5~8.99 ±0.05 9.0~119.9 ±0.1 120~315 ±0.2	HITEC

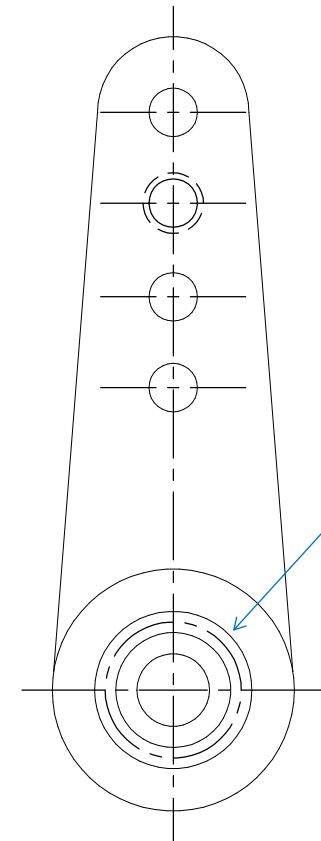
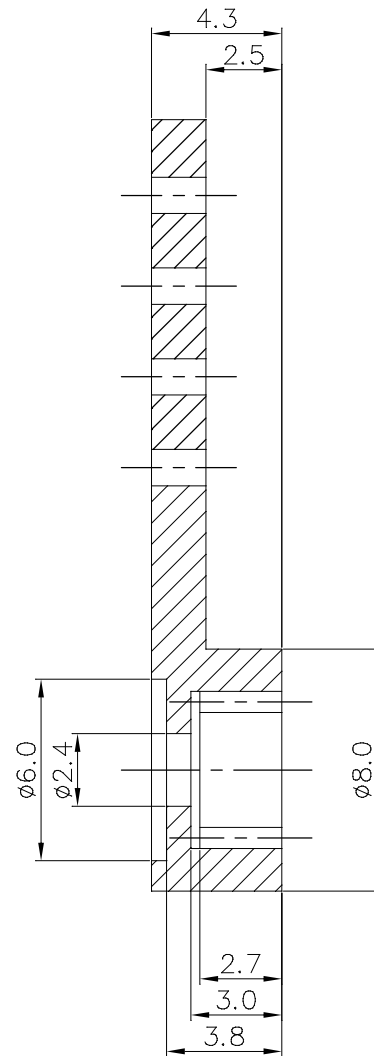
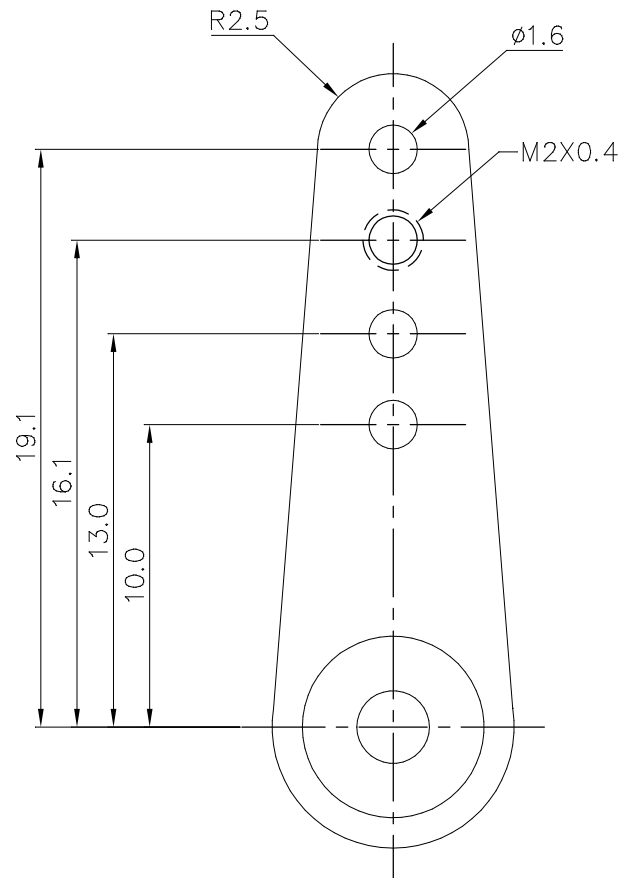


Micro 25T
Serration

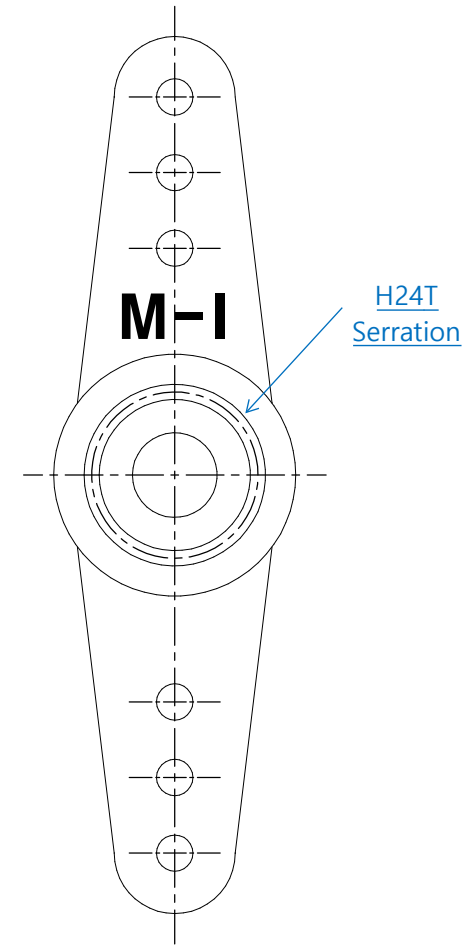
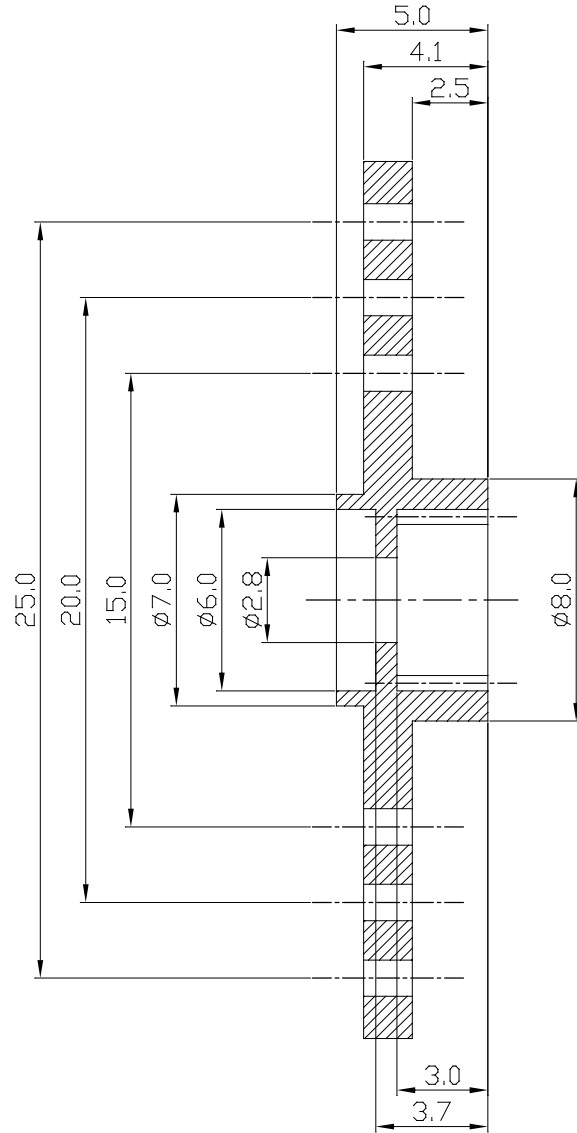
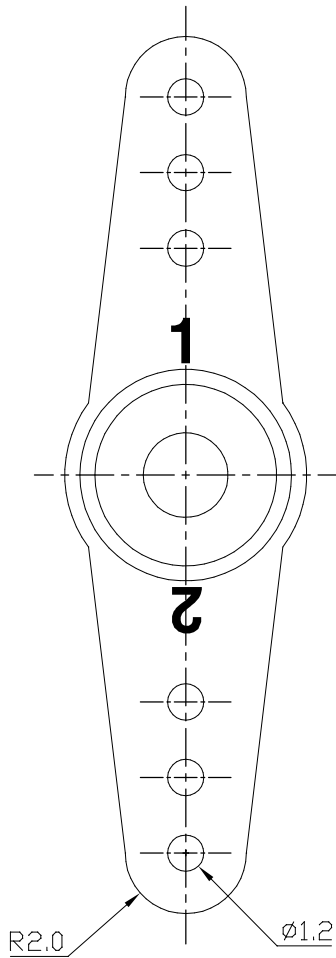
SCALE 4/1	PART NAME MS-L25
UNIT : mm	TYPE MICRO HORN
Tolerance 0.5~8.99 ±0.05 9.0~119.9 ±0.1 120~315 ±0.2	



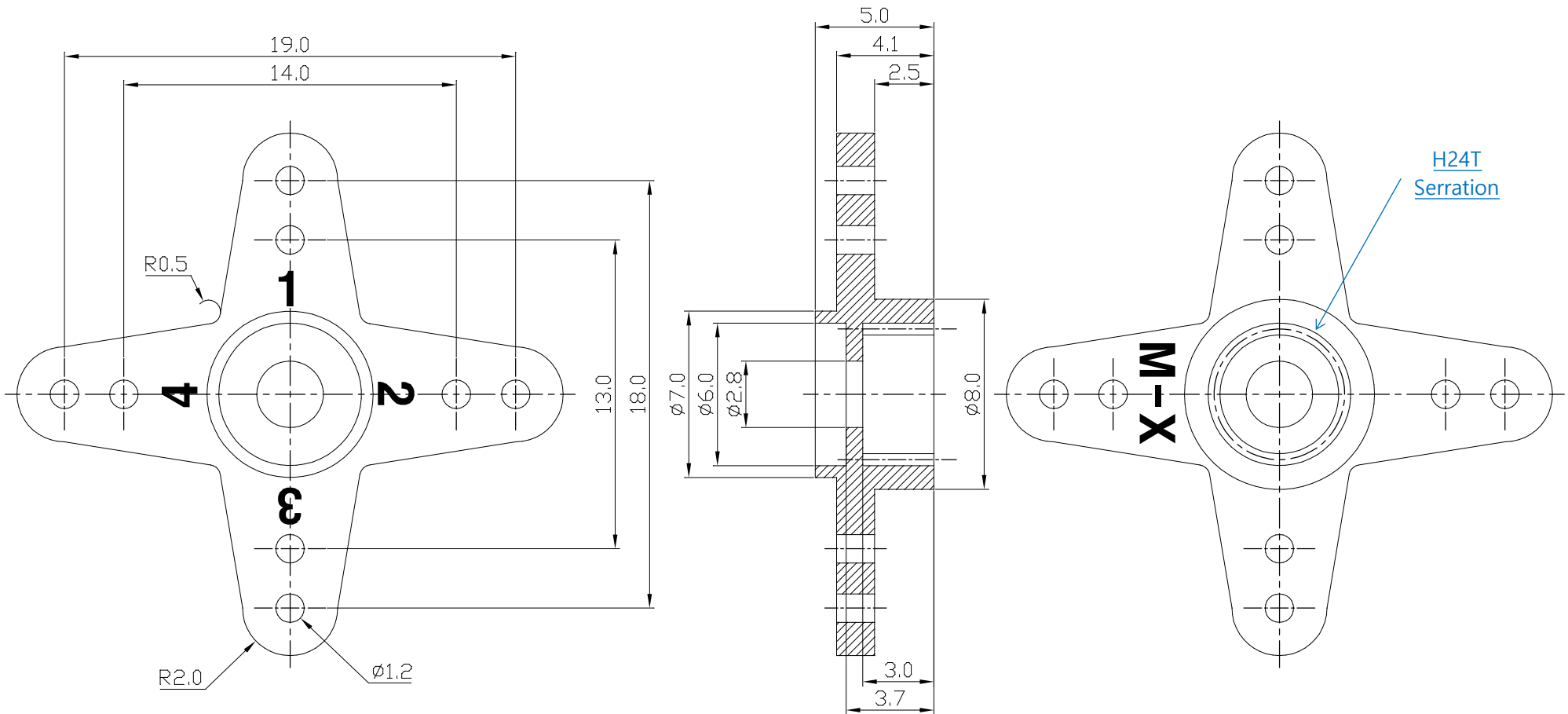
SCALE 2/1	PART NAME MS-X25
UNIT : mm	TYPE MICRO HORN
Tolerance 0.5~8.99 ±0.05 9.0~119.9 ±0.1 120~315 ±0.2	




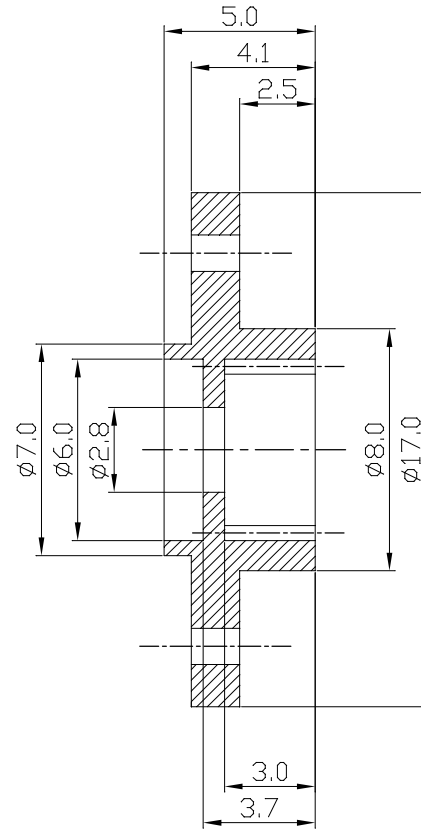
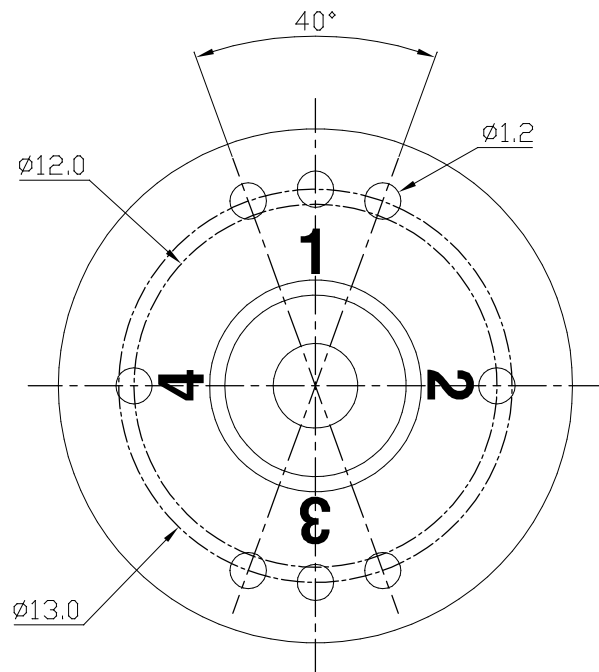
SCALE 4/1	PART NAME MS-ML25
UNIT : mm	TYPE MICRO METAL HORN
Tolerance 0.5-8.99 ± 0.05 9.0-119.9 ± 0.1 120-315 ± 0.2	HITEC



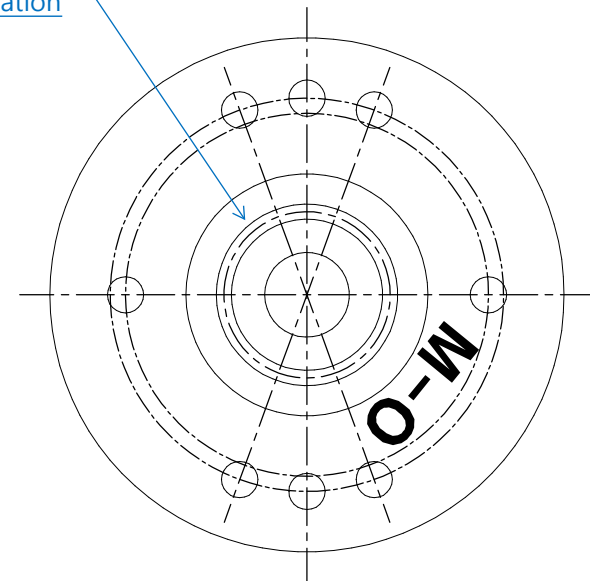
SCALE 4/1	PART NAME M-I24
UNIT : mm	TYPE MICRO HORN
Tolerance 0.5-8.99 ±0.05 9.0-119.9 ±0.1 120-315 ±0.2	



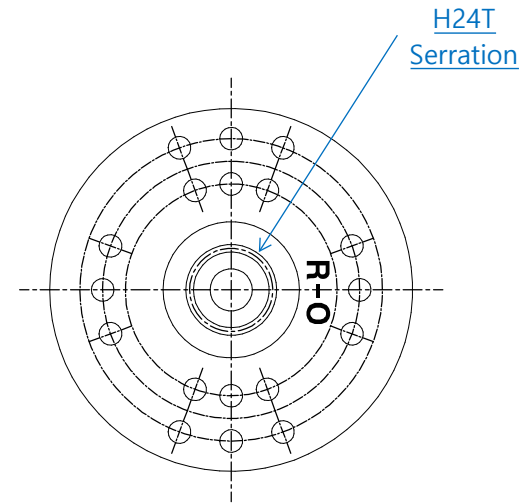
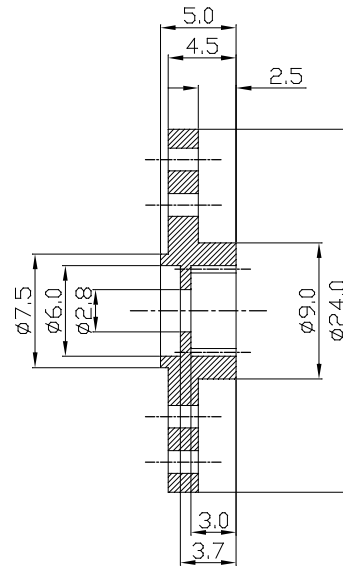
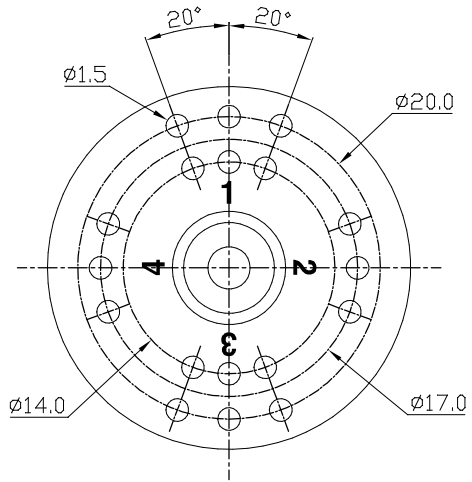
SCALE 4/1	PART NAME M-X24
UNIT : mm	TYPE MICRO HORN
Tolerance 0.5~8.99 ±0.05 9.0~119.9 ±0.1 120~315 ±0.2	



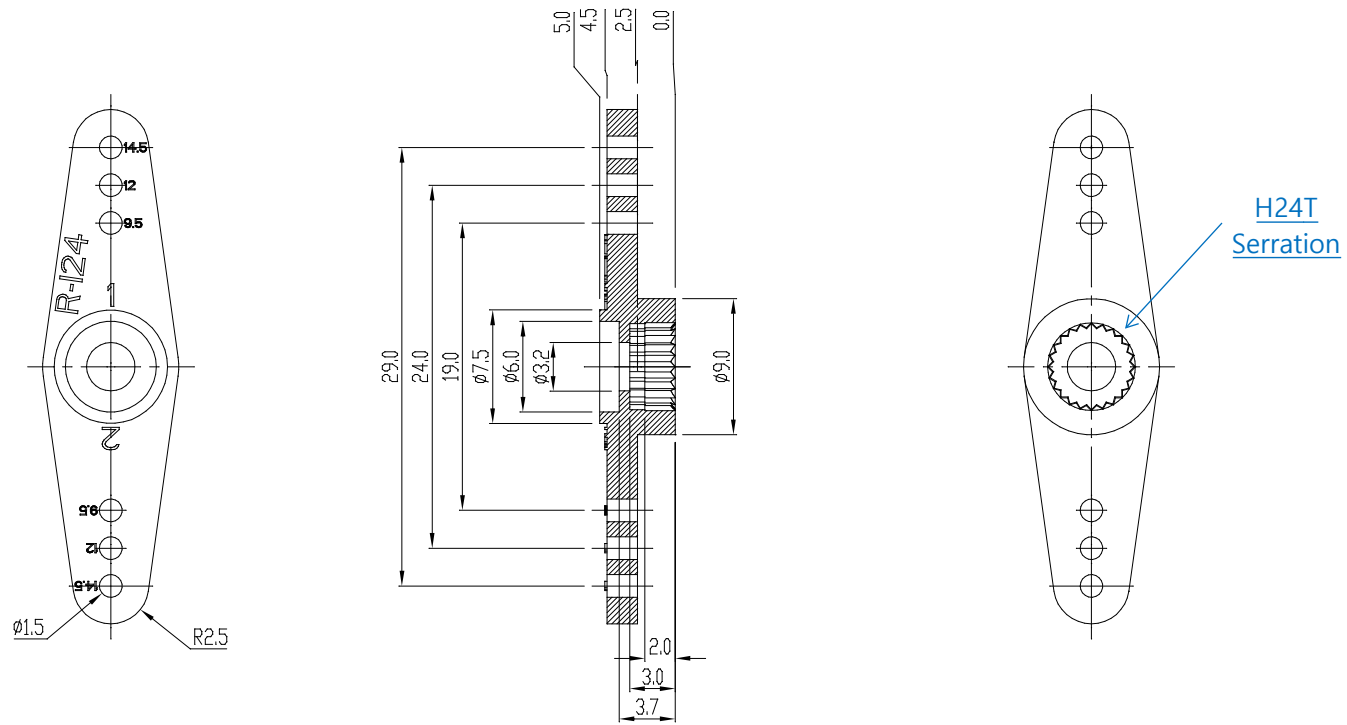
H24T
Serration



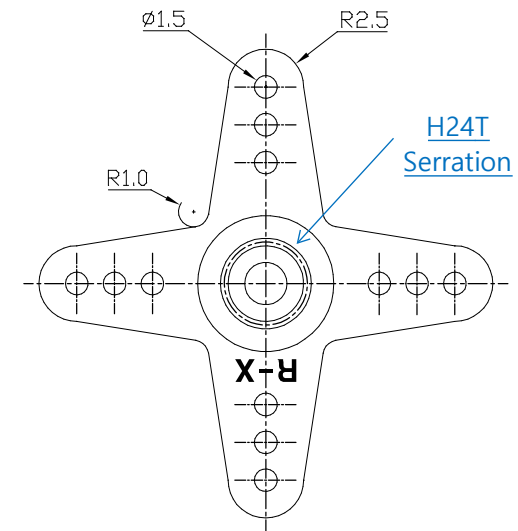
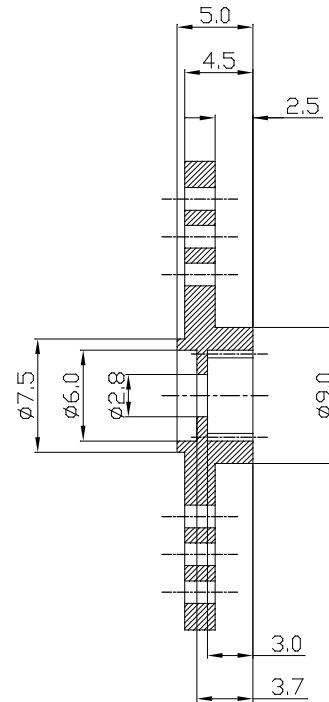
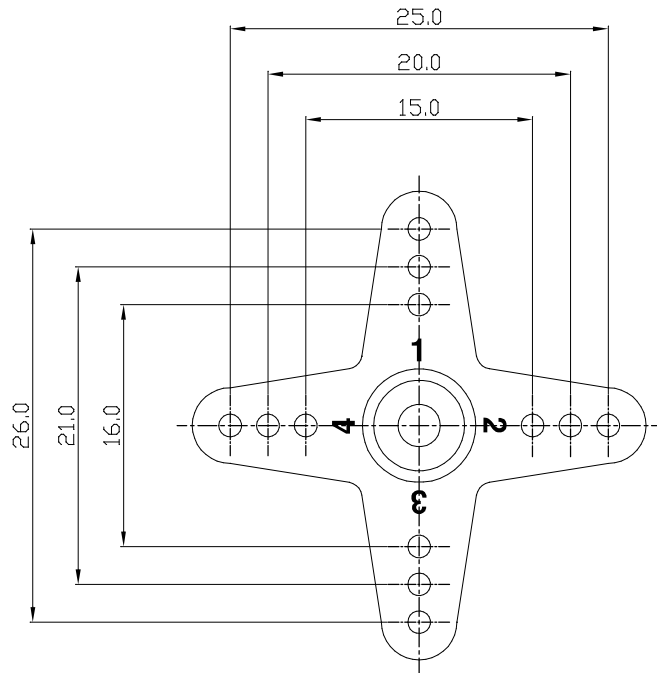
SCALE 4/1	PART NAME M-□24
UNIT : mm	TYPE MICRO HORN
Tolerance 0.5~8.99 ±0.05 9.0~119.9 ±0.1 120~315 ±0.2	



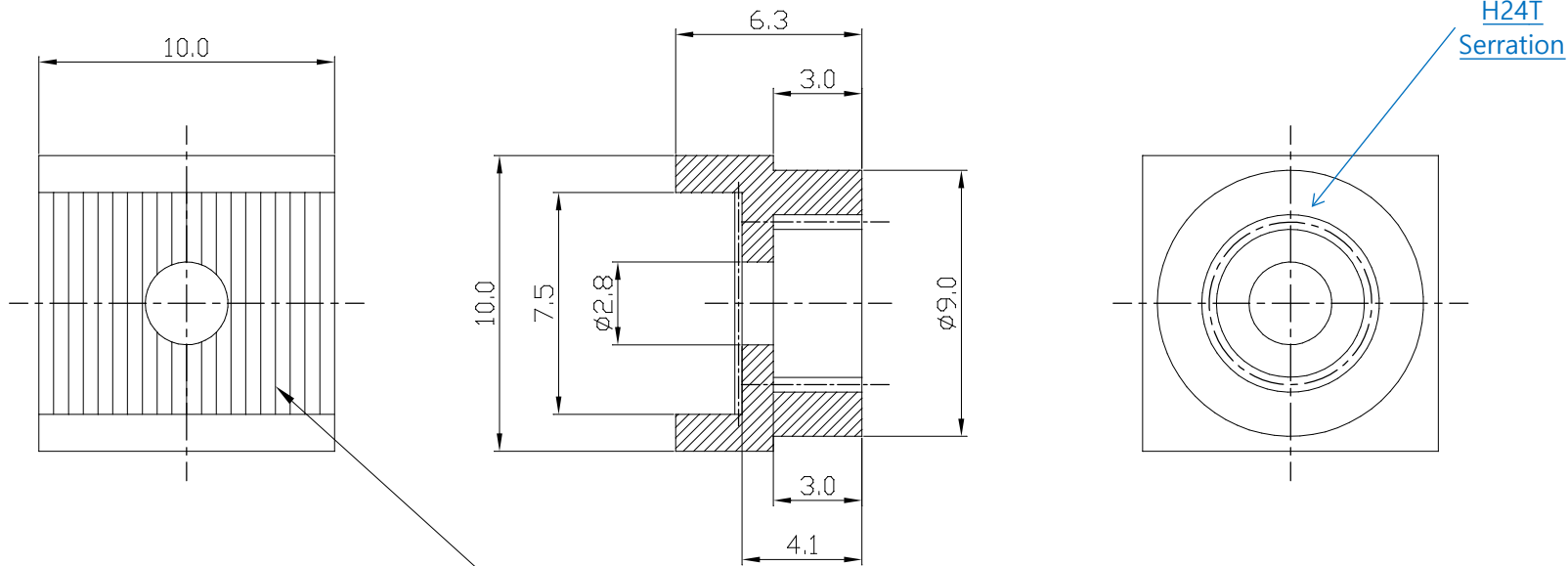
SCALE 2/1	PART NAME R-024
UNIT : mm	TYPE REGULAR HORN
Tolerance 0.5~8.99 ±0.05 9.0~119.9 ±0.1 120~315 ±0.2	



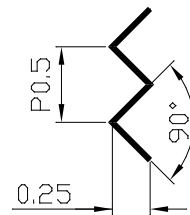
SCALE 2/1	PART NAME	R-I24
UNIT : mm	TYPE	REGULAR HORN
Tolerance 0.5-8.99 ±0.05 9.0-119.9 ±0.1 120-315 ±0.2		



SCALE 2/1	PART NAME R-X24
UNIT : mm	TYPE REGULAR HORN
Tolerance 0.5~8.99 ±0.05 9.0~119.9 ±0.1 120~315 ±0.2	HITEC

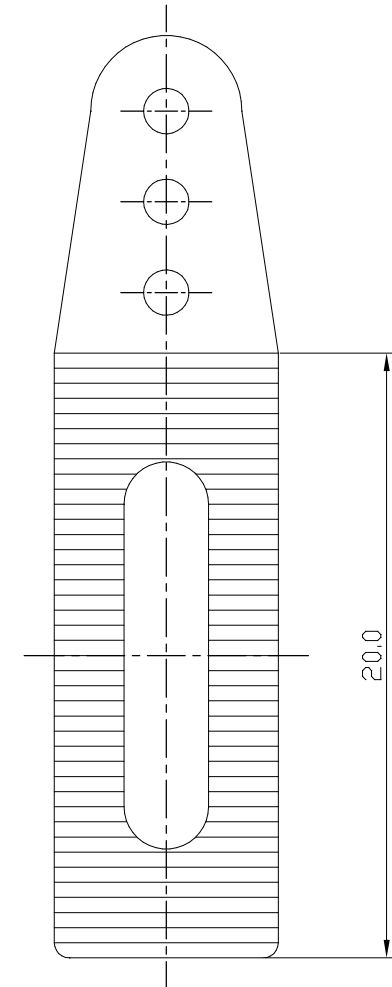
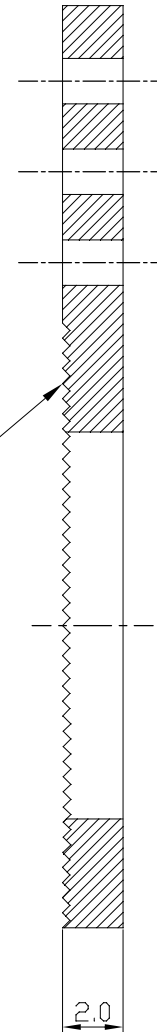
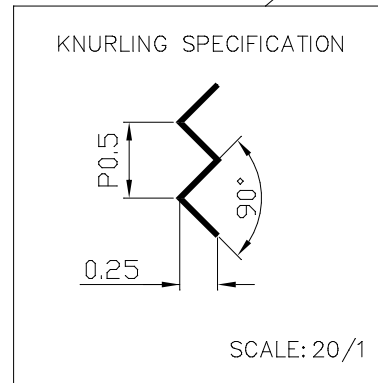
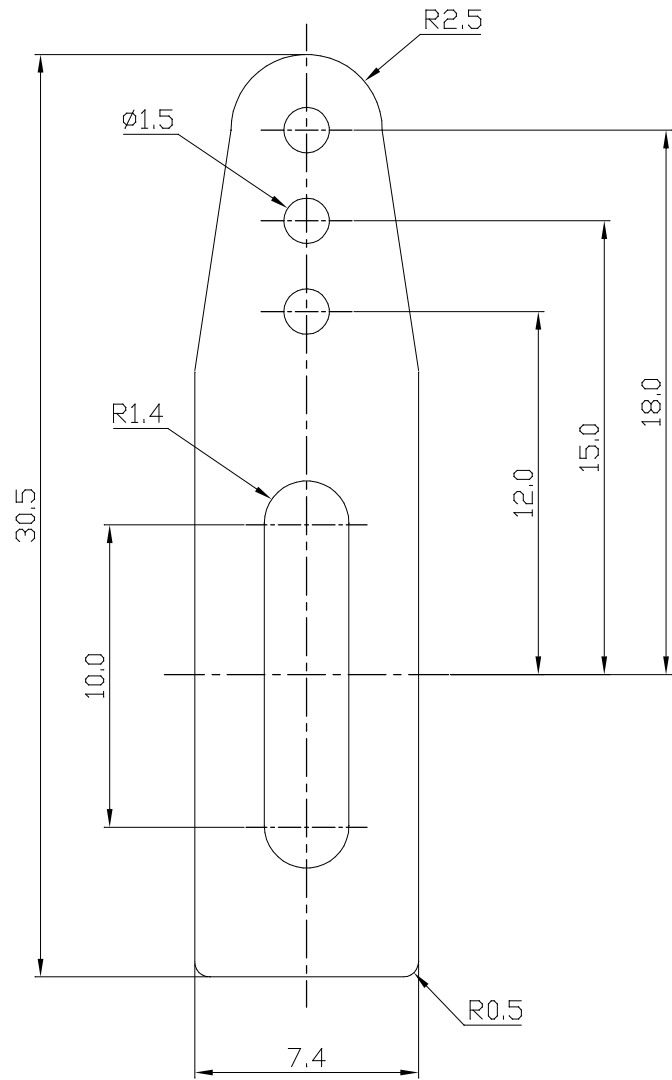


KNURLING SPECIFICATION

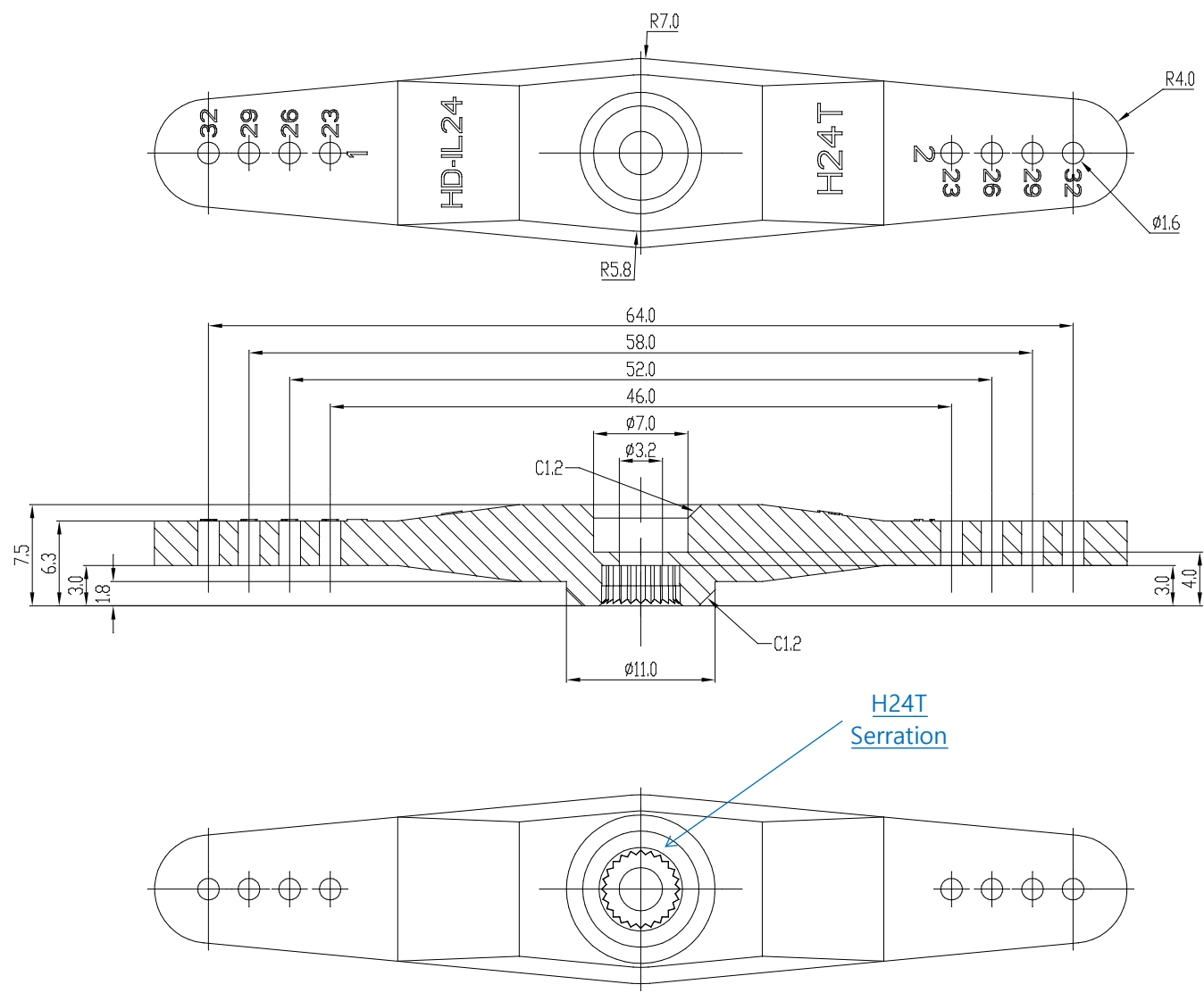


SCALE: 20/1

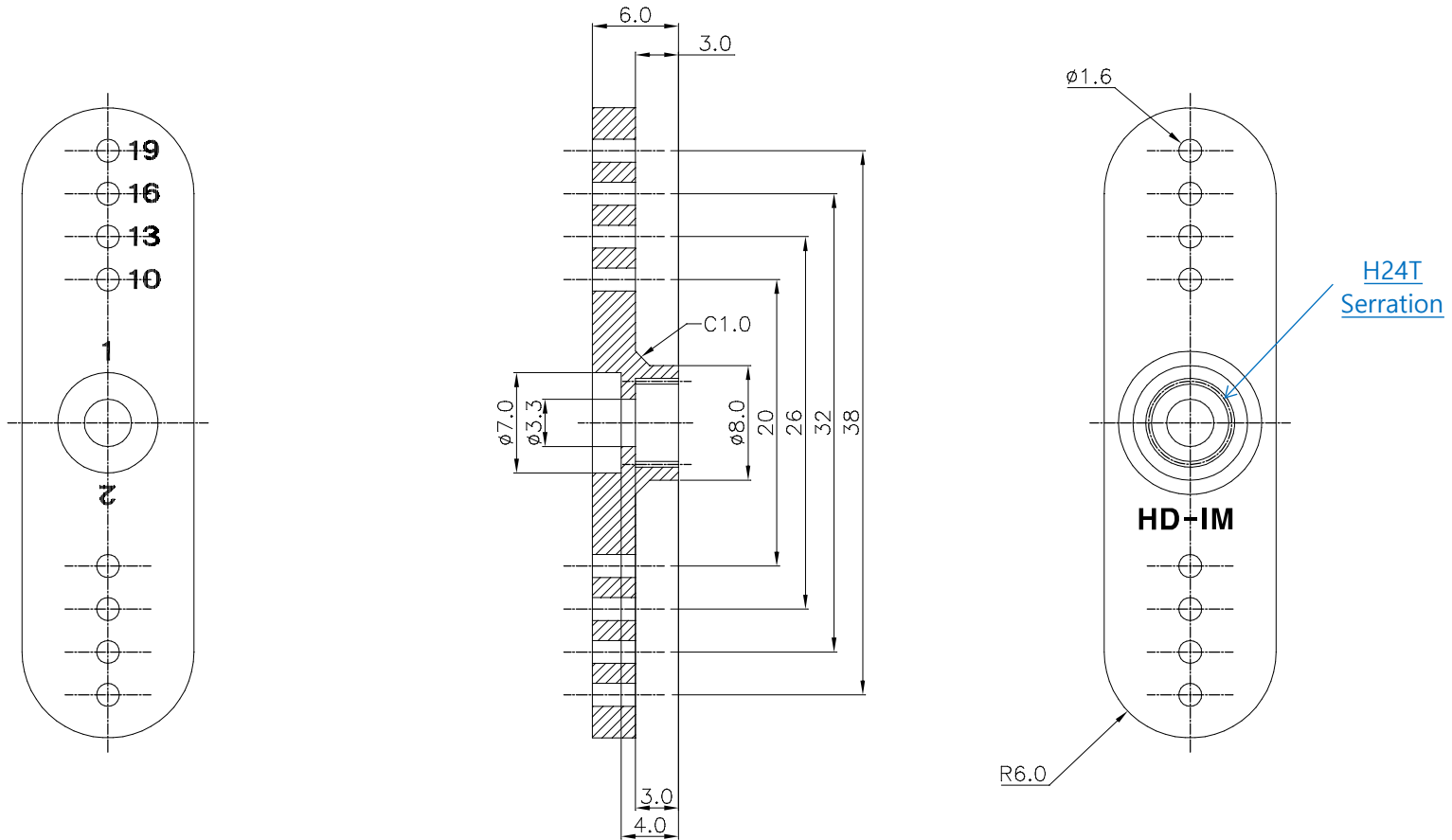
SCALE 4/1	PART NAME R-C
UNIT : mm	TYPE REGULAR HORN
Tolerance 0.5-8.99 ±0.05 9.0-119.9 ±0.1 120-315 ±0.2	



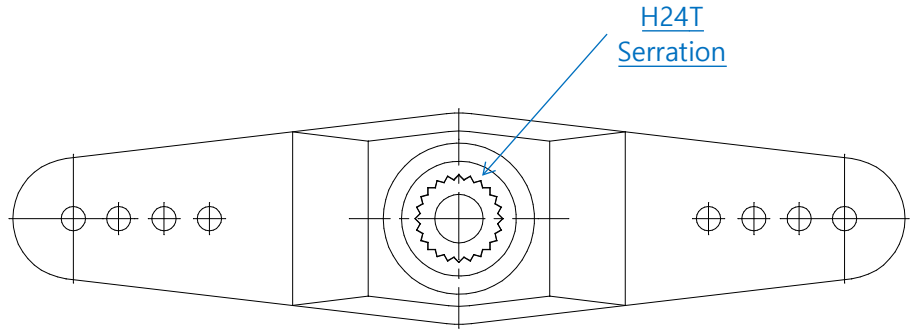
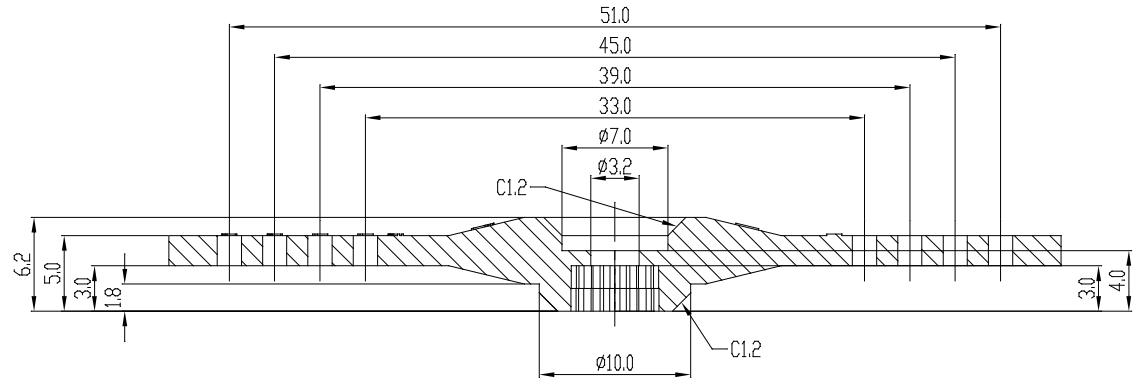
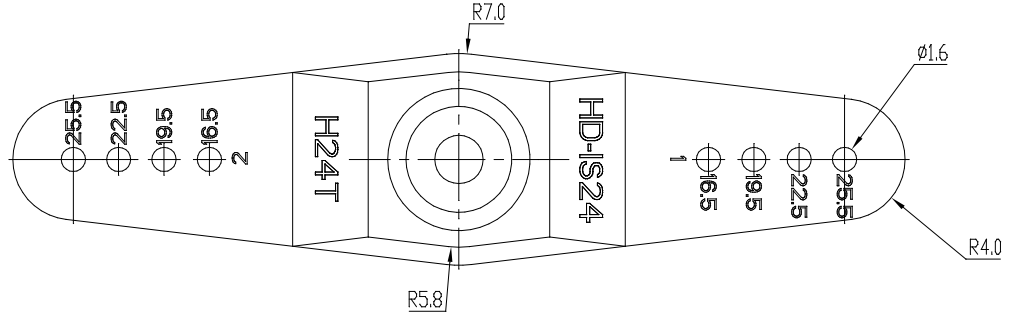
SCALE 4/1	PART NAME R-D
UNIT : mm	TYPE REGULAR HORN
Tolerance 0.5-8.99 ±0.05 9.0-119.9 ±0.1 120-315 ±0.2	



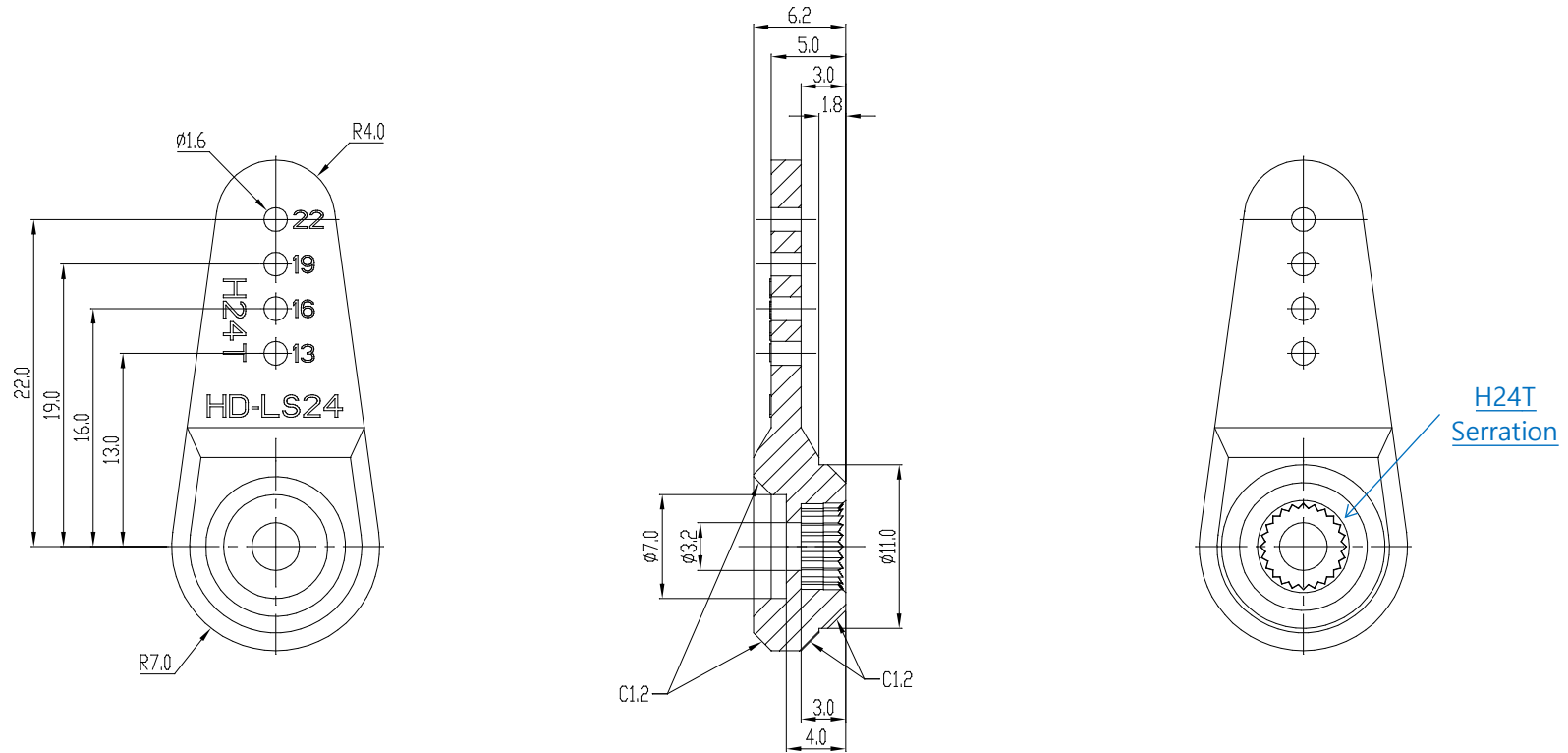
SCALE 2/1	PART NAME HD-IL24
UNIT : mm	TYPE HEAVY DUTY HORN
Tolerance 0.5-8.99 ±0.05 9.0-119.9 ±0.1 120-315 ±0.2	



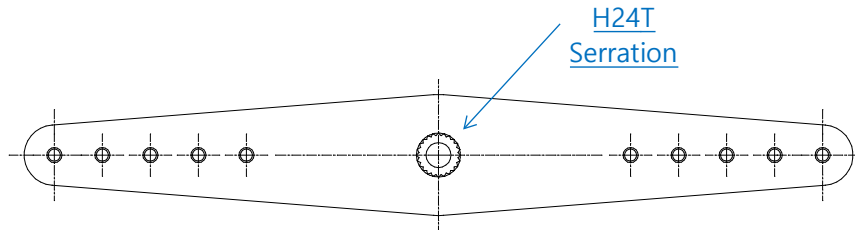
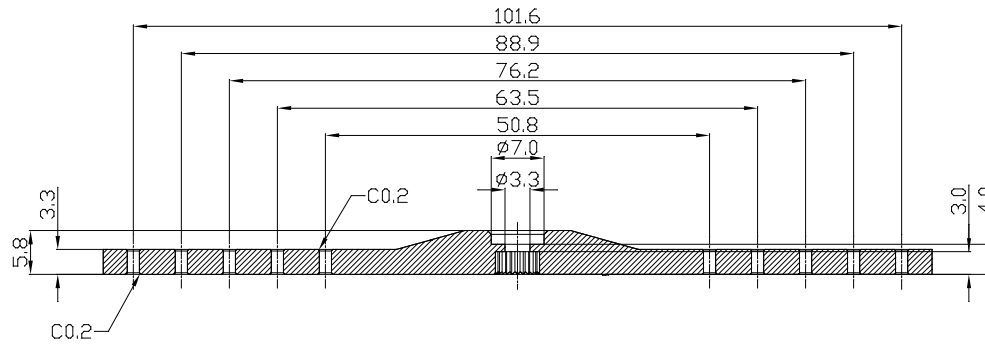
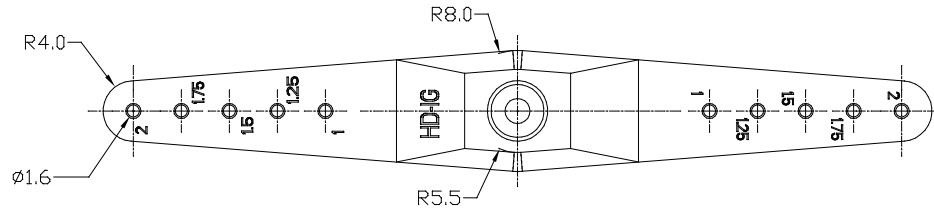
SCALE 2/1	PART NAME HD-IM24
UNIT : mm	TYPE HEAVY DUTY HORN
Tolerance 0.5~8.99 ±0.05 9.0~119.9 ±0.1 120~315 ±0.2	



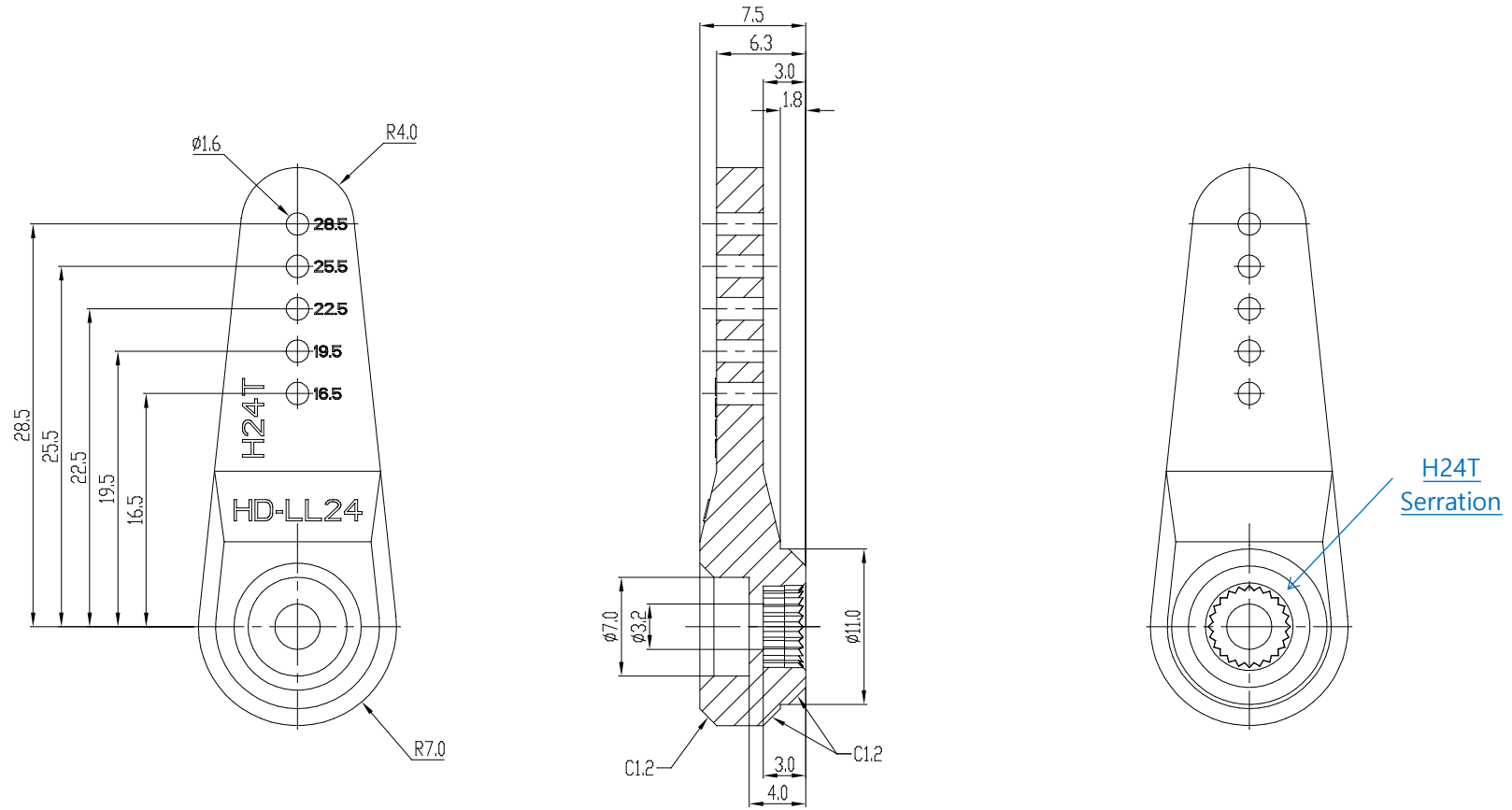
SCALE 2/1	PART NAME HD-IS24
UNIT : mm	TYPE HEAVY DUTY HORN
Tolerance 0.5-8.99 ±0.05 9.0-119.9 ±0.1 120-315 ±0.2	



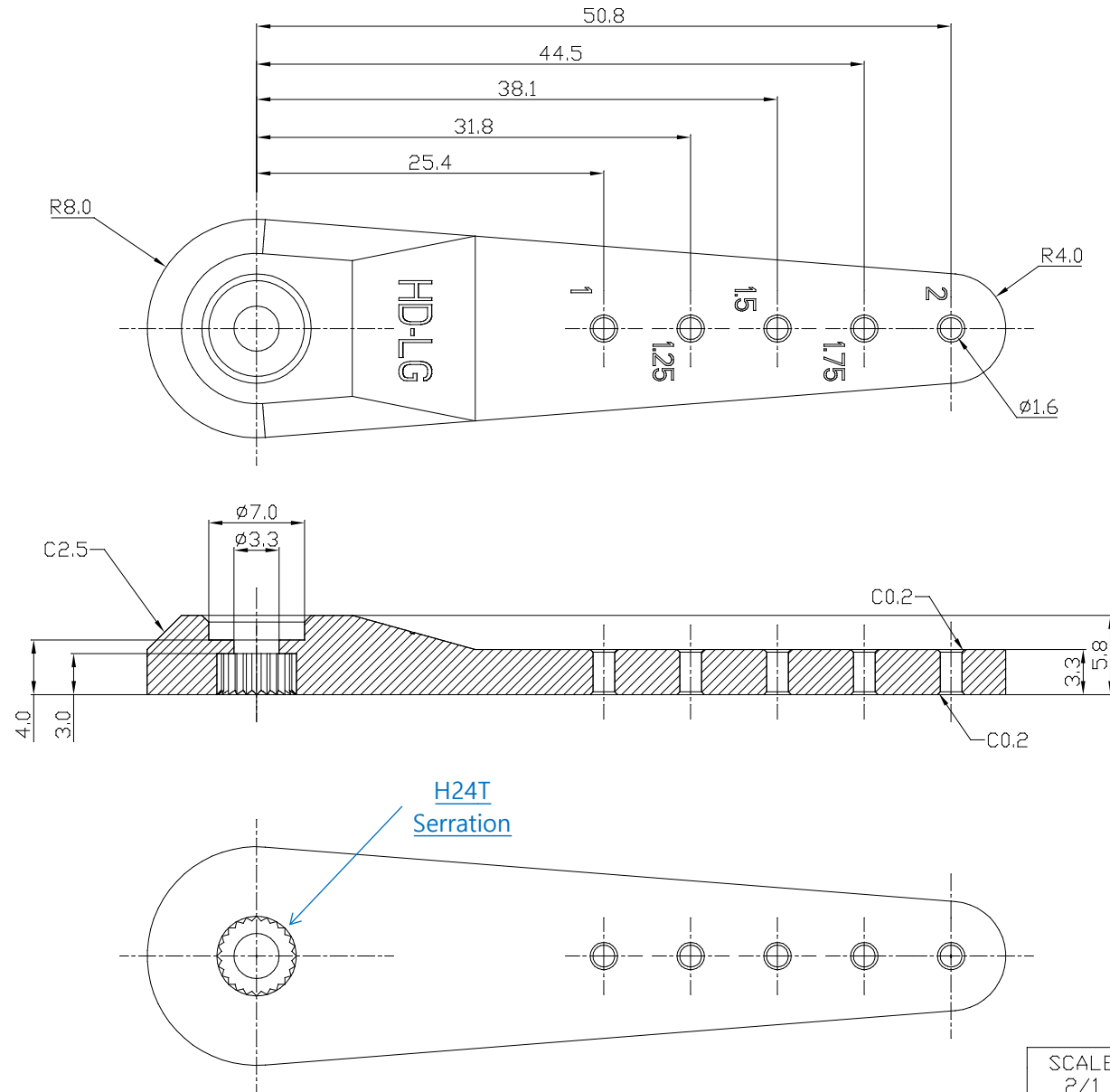
SCALE 2/1	PART NAME HD-LS24
UNIT : mm	TYPE HEAVY DUTY HORN
Tolerance 0.5-8.99 ±0.05 9.0-119.9 ±0.1 120-315 ±0.2	



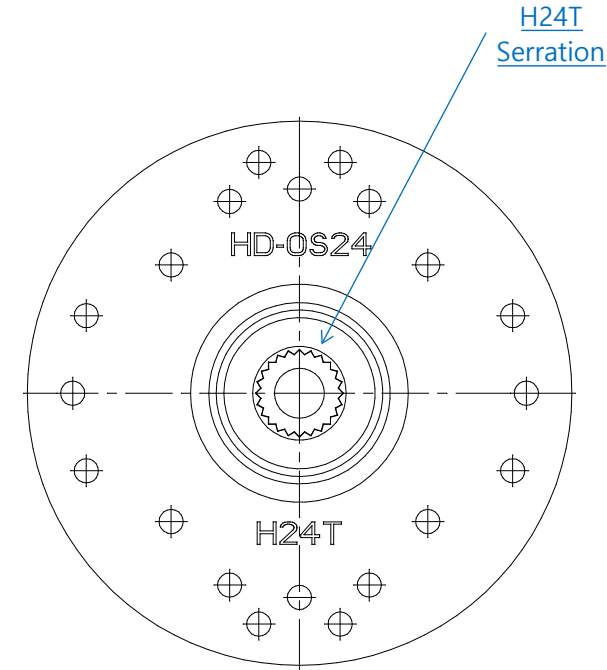
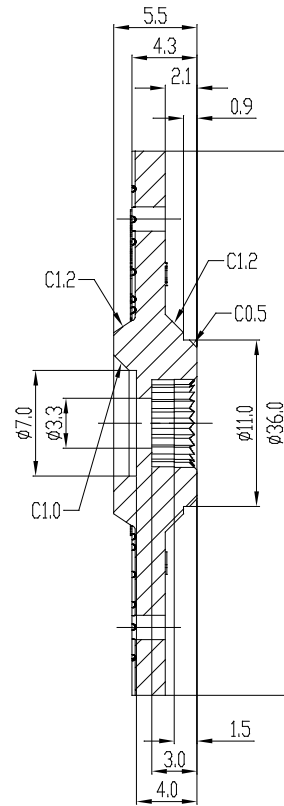
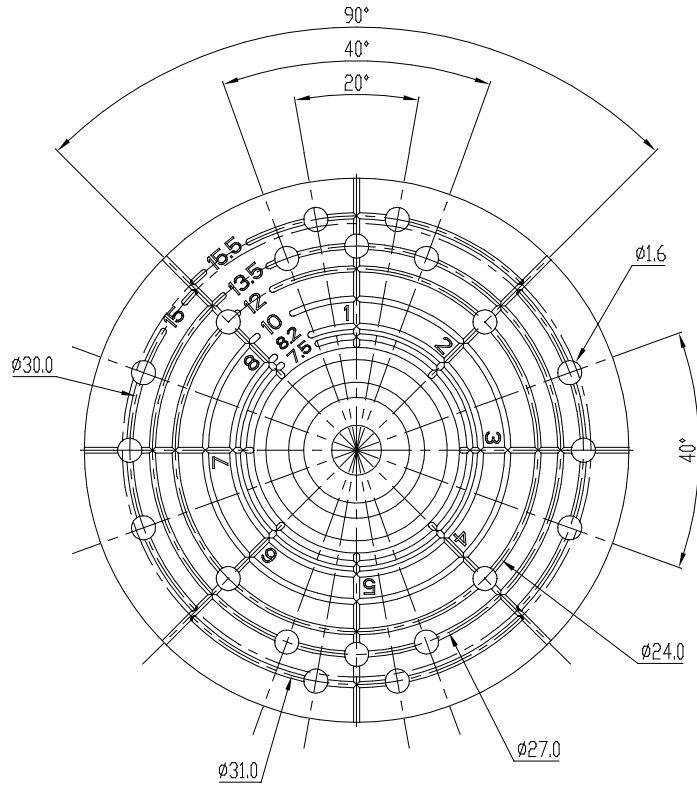
SCALE 1/1	PART NAME HD-IG24
UNIT : mm	TYPE HEAVY DUTY HORN
Tolerance 0.5-8.99 ±0.05 9.0-119.9 ±0.1 120-315 ±0.2	



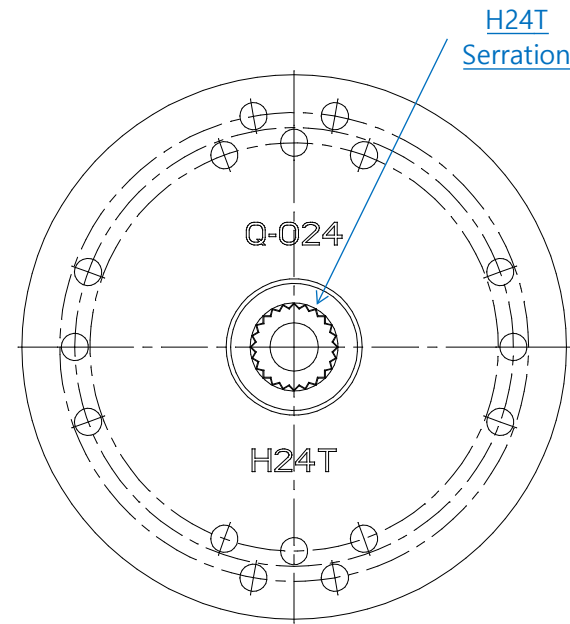
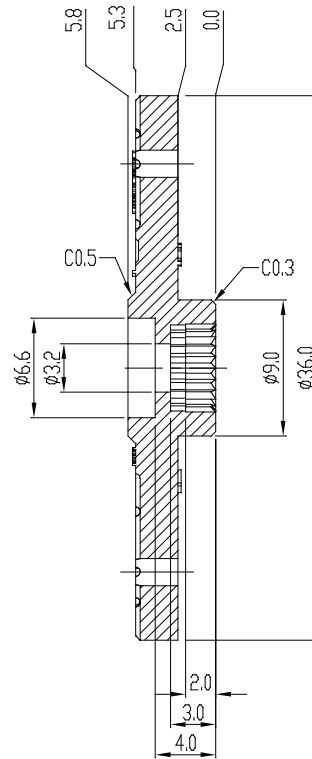
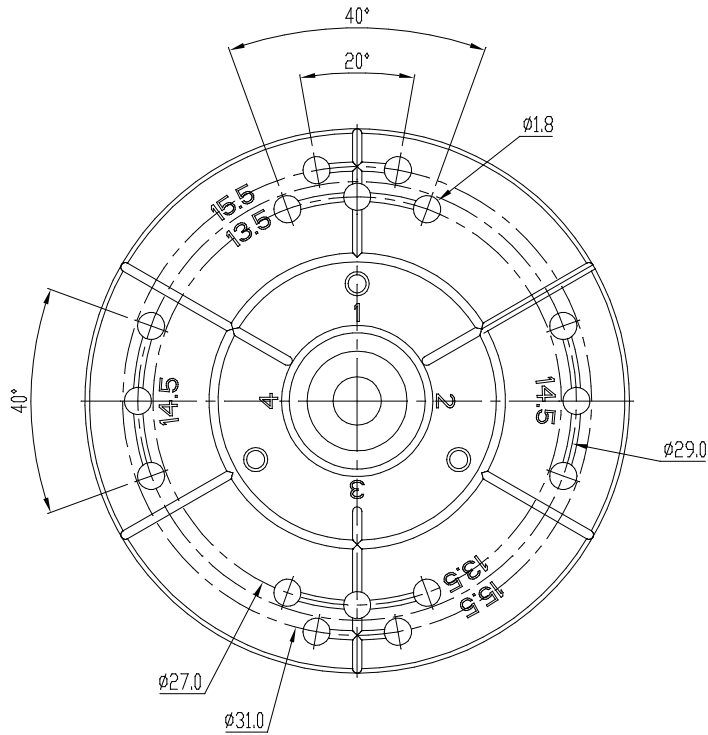
SCALE 2/1	PART NAME HD-LL24
UNIT : mm	TYPE HEAVY DUTY HORN
Tolerance 0.5~8.99 ±0.05 9.0~119.9 ±0.1 120~315 ±0.2	



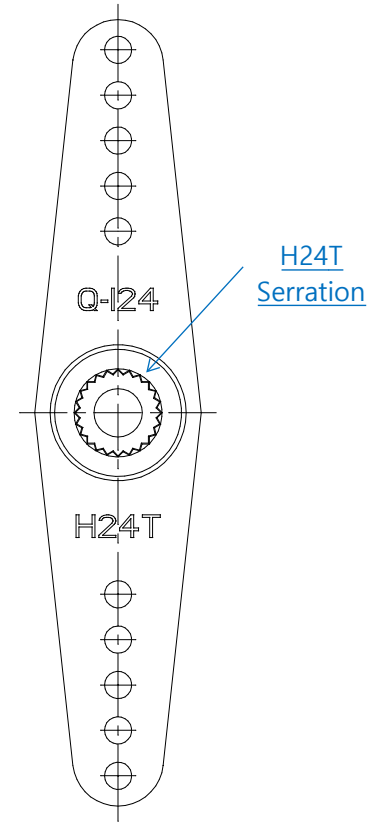
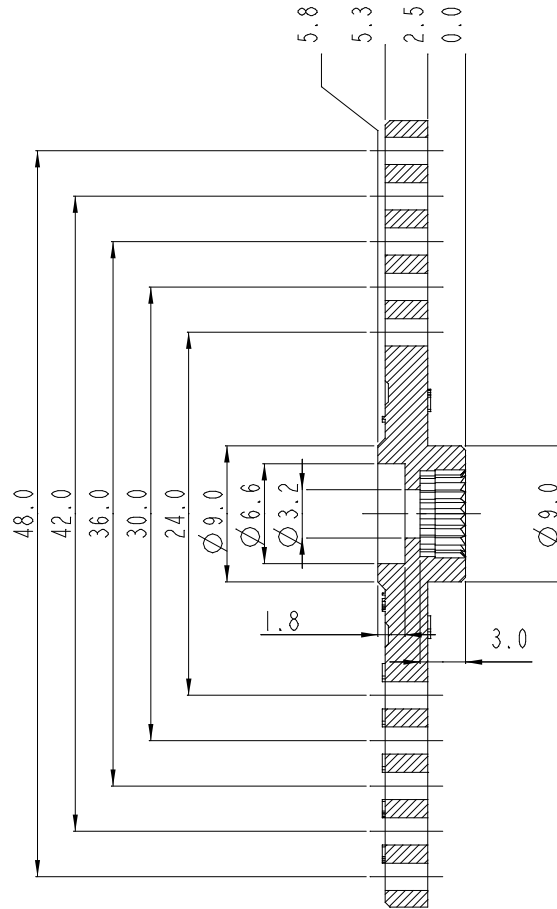
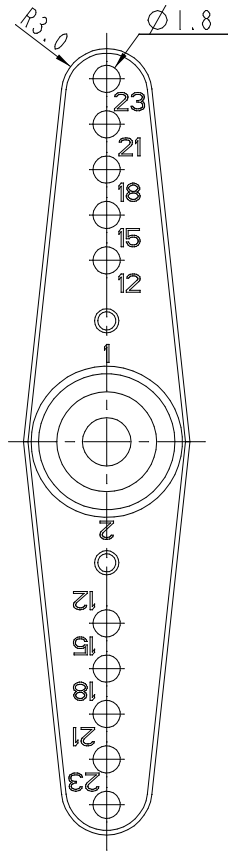
SCALE 2/1	PART NAME HD-LG24
UNIT : mm	TYPE HEAVY DUTY HORN
Tolerance 0.5-8.99 ±0.05 9.0-119.9 ±0.1 120-315 ±0.2	HITEC



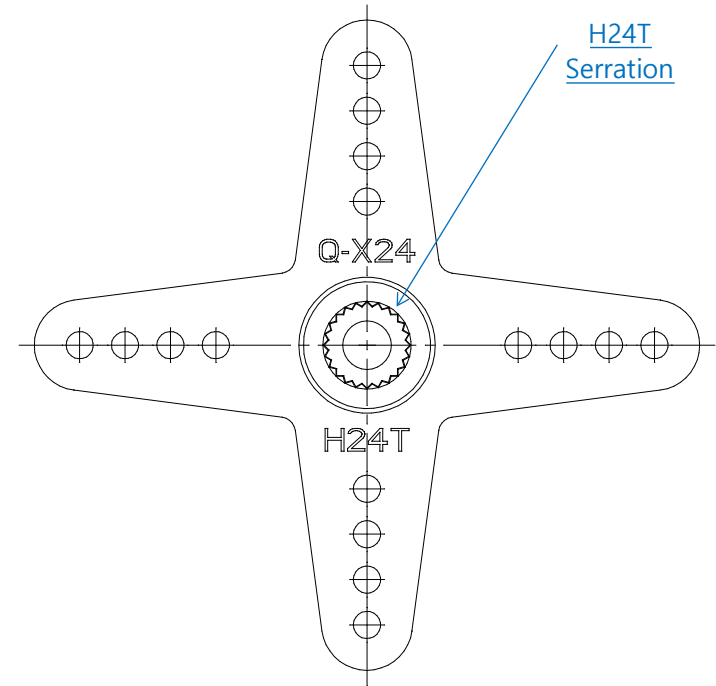
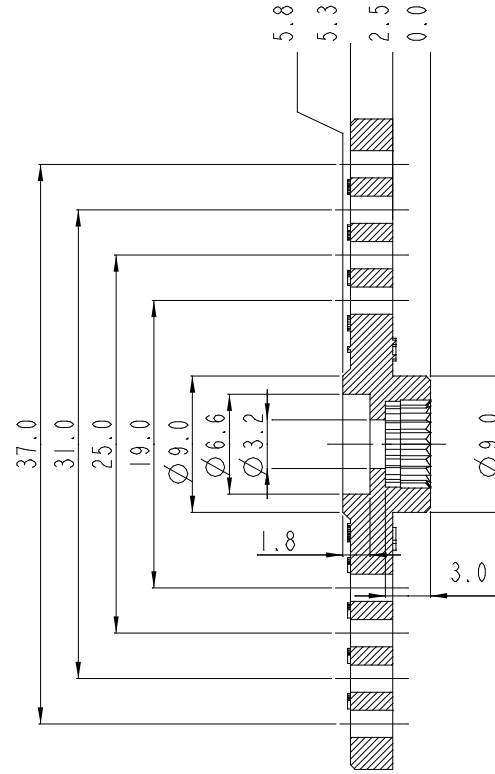
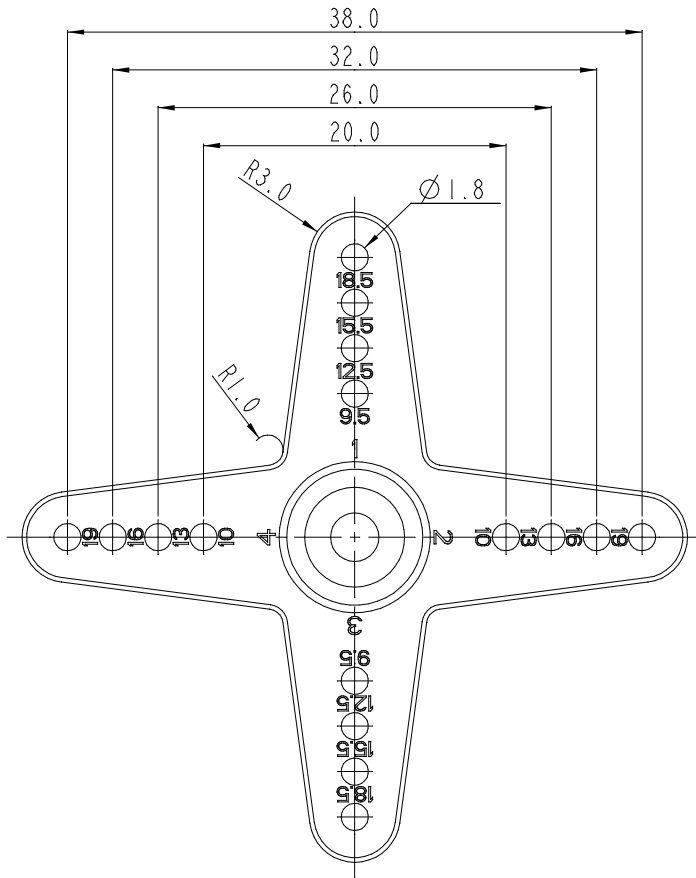
SCALE 2/1	PART NAME HD-OS24
UNIT : mm	TYPE HEAVY DUTY HORN
Tolerance 0.5-8.99 ±0.05 9.0-119.9 ±0.1 120-315 ±0.2	



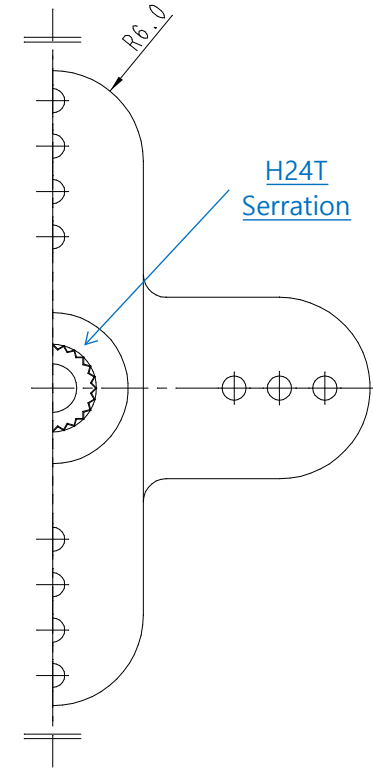
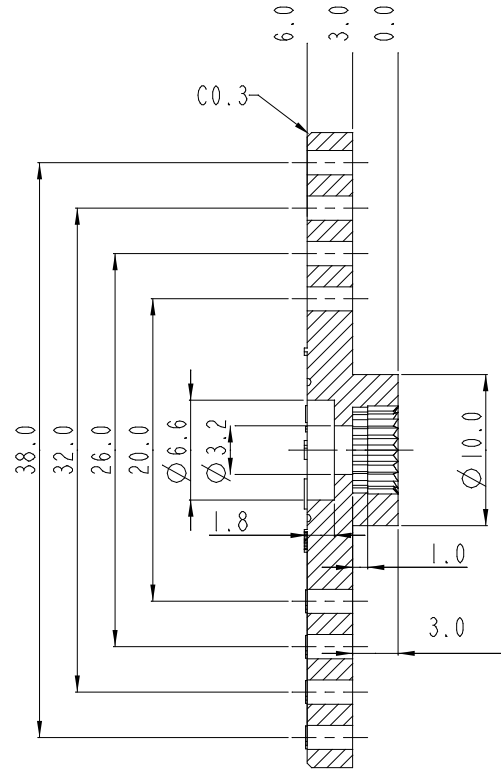
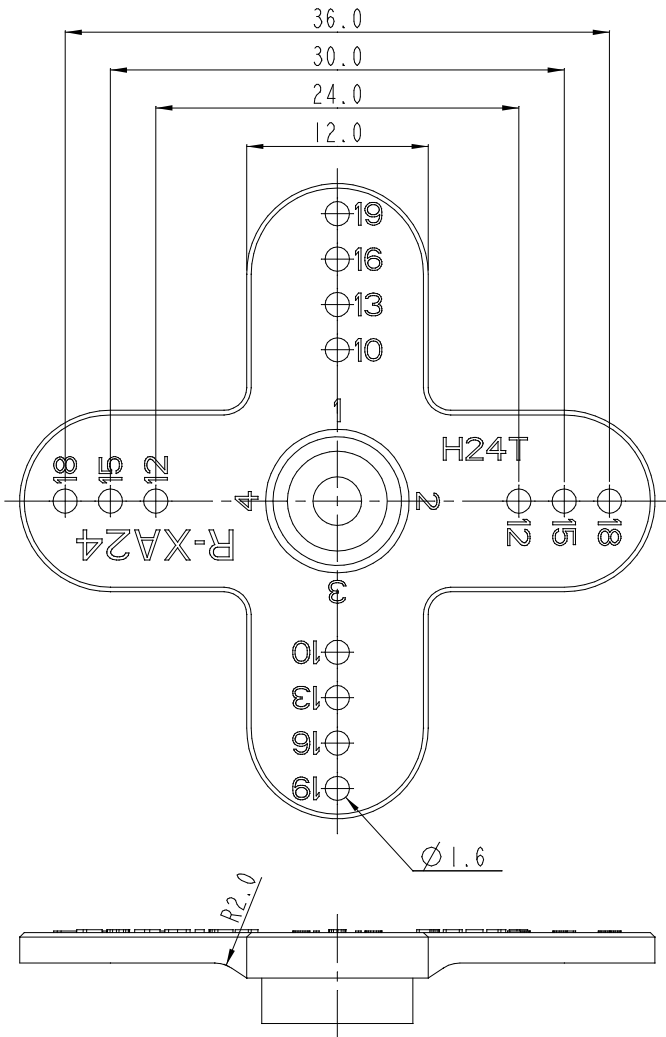
SCALE 2/1	PART NAME Q-024
UNIT : mm	TYPE QUARTER SCALE HORN
Tolerance 0.5-8.99 ±0.05 9.0-119.9 ±0.1 120-315 ±0.2	HITEC



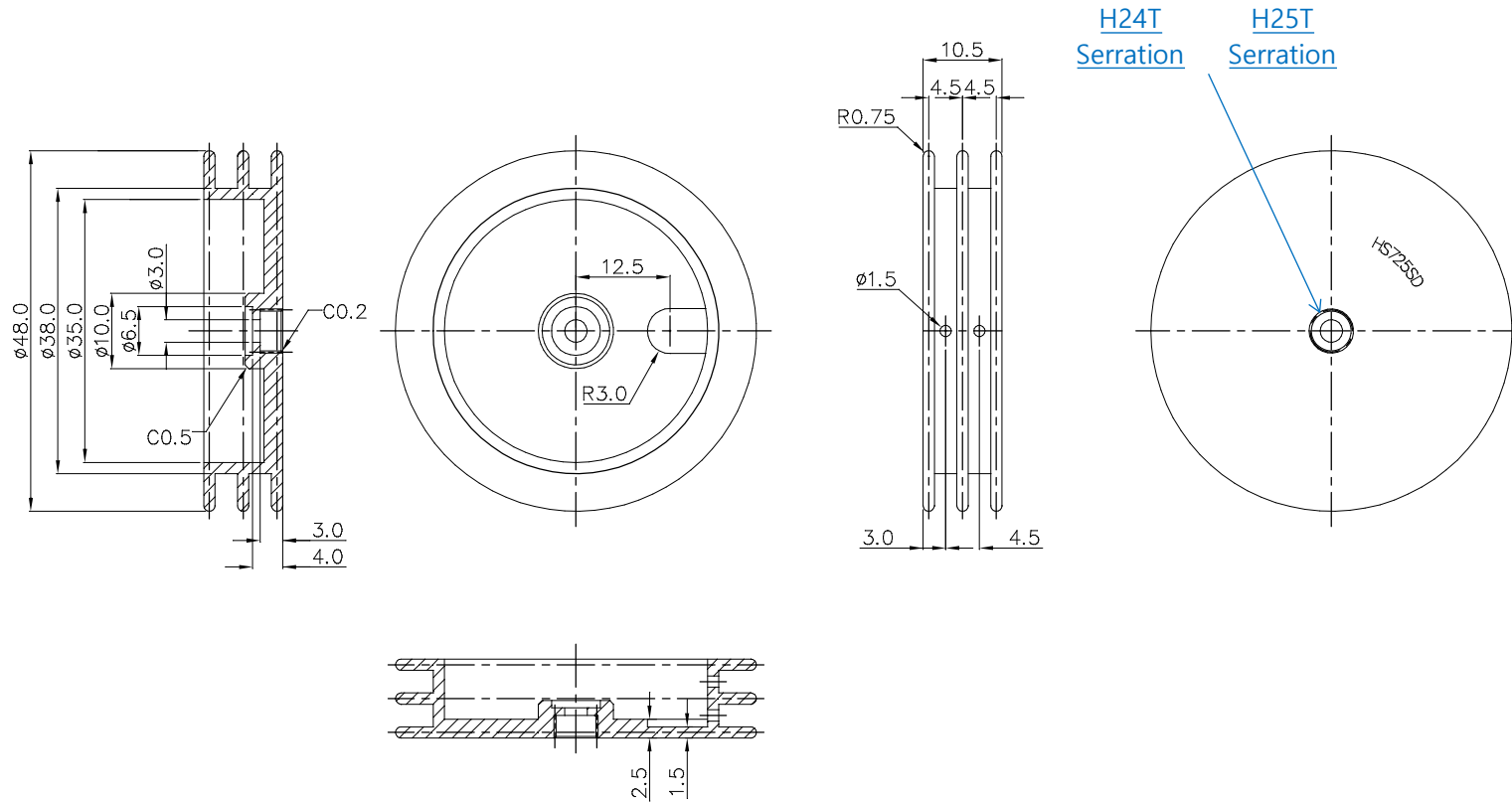
SCALE 2/1	PART NAME Q-I24
UNIT : mm	TYPE QUARTER SCALE HORN
Tolerance 0.5-8.99 ±0.05 9.0-119.9 ±0.1 120-315 ±0.2	HITEC



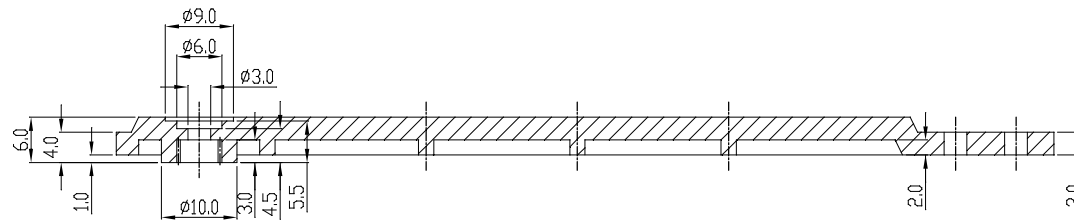
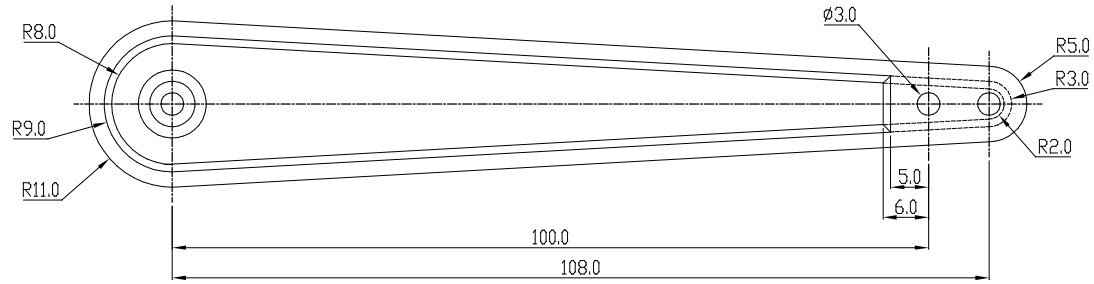
SCALE 2/1	PART NAME Q-X24
UNIT : mm	TYPE QUARTER SCALE HORN
Tolerance 0.5-8.99 ±0.05 9.0-119.9 ±0.1 120-315 ±0.2	HITEC



SCALE 2/1	PART NAME	R-XA24
UNIT : mm	TYPE	SUPER HORN
Tolerance 0.5-8.99 ±0.05 9.0-119.9 ±0.1 120-315 ±0.2	HITEC	

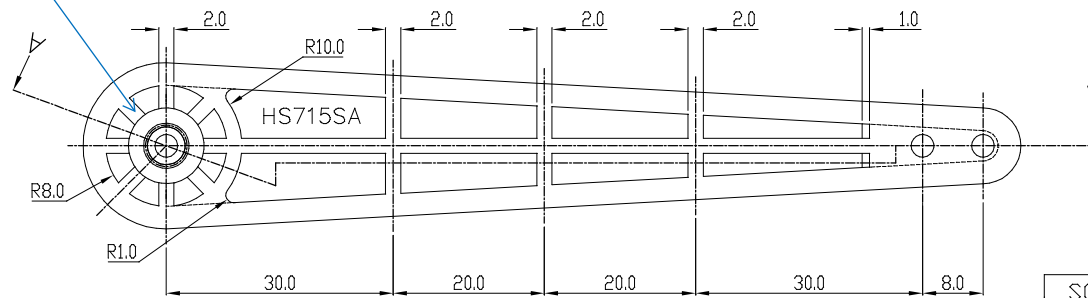



SCALE 1/1	PART NAME SP-24/SP-25
UNIT : mm	TYPE SPOOL DRUM HORN
Tolerance 0.5~8.99 ±0.05 9.0~119.9 ±0.1 120~315 ±0.2	HITEC

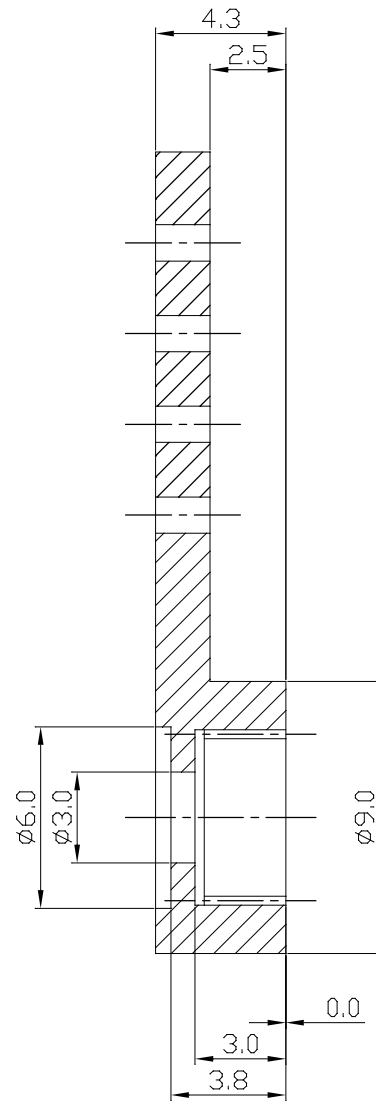
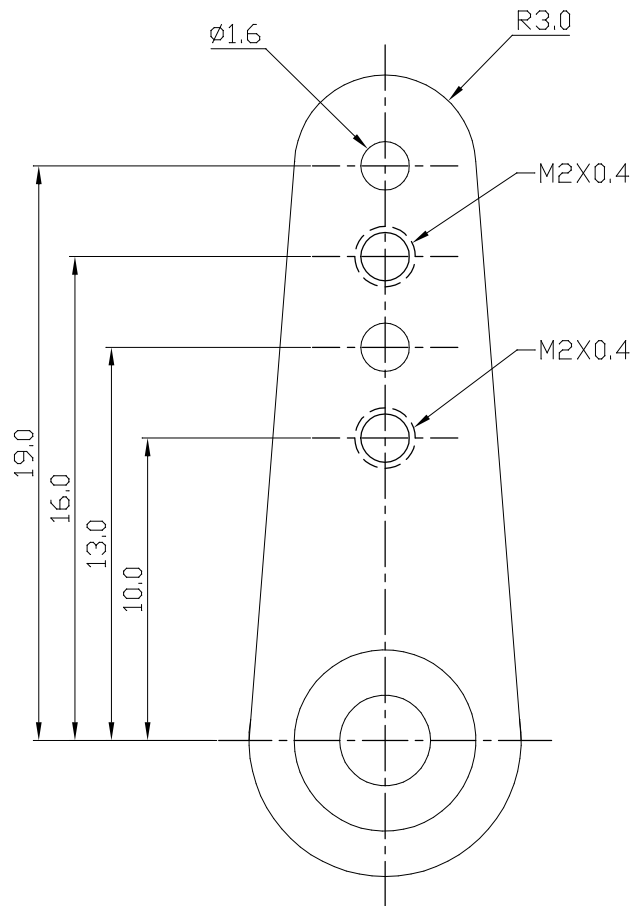


SECTION A-A

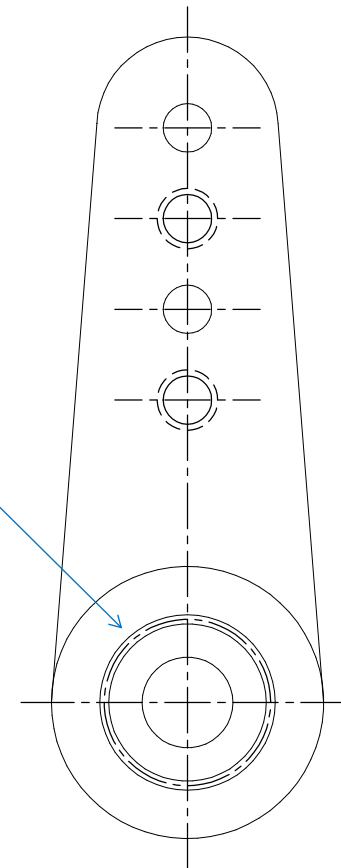
H24T
Serration




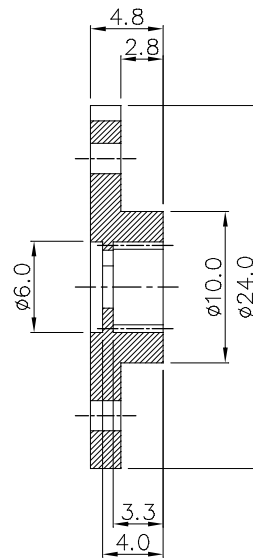
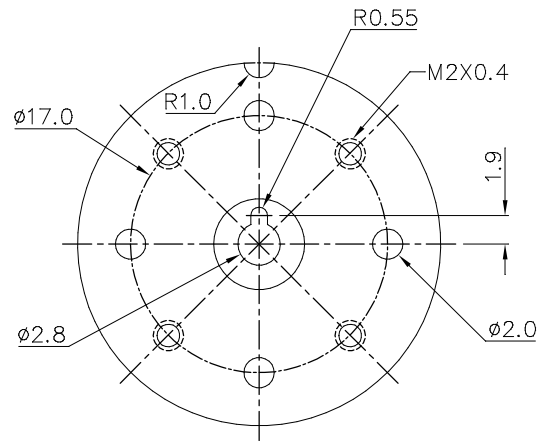
SCALE 1/1	PART NAME 715SA-24
UNIT : mm	TYPE SAIL ARM HORN
Tolerance 0.5-8.99 ±0.05 9.0-119.9 ±0.1 120-315 ±0.2	
	



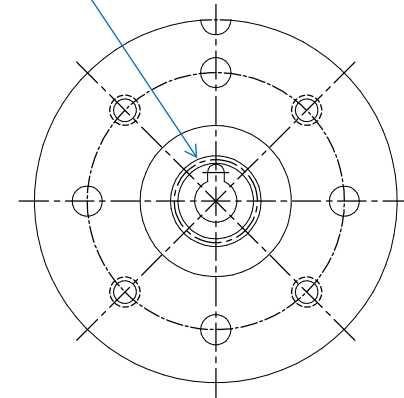
H24T
Serration



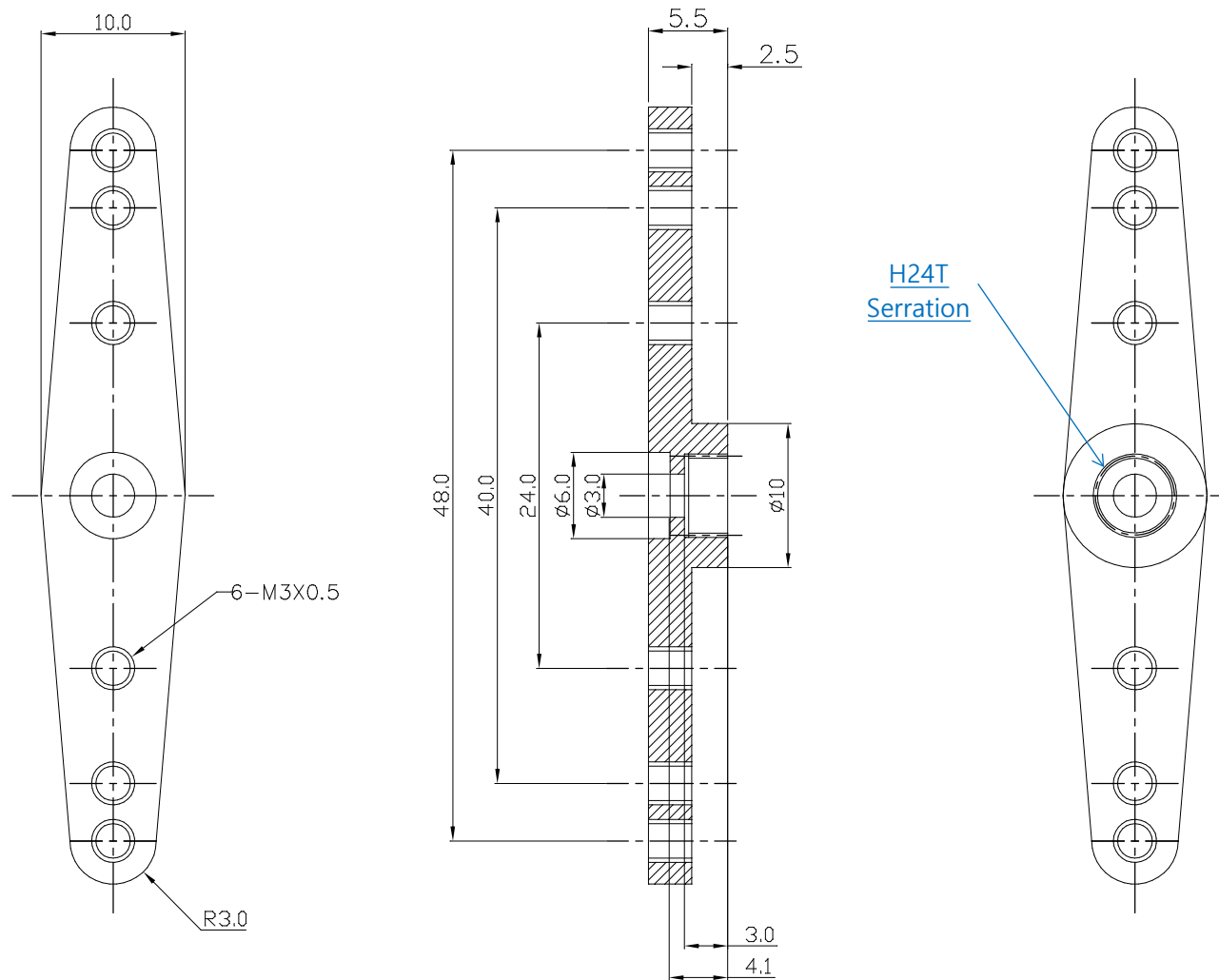
SCALE 4/1	PART NAME	R-ML24
UNIT : mm	TYPE	METAL HORN
Tolerance		
0.5~8.99 ±0.05		
9.0~119.9 ±0.1		
120~315 ±0.2		



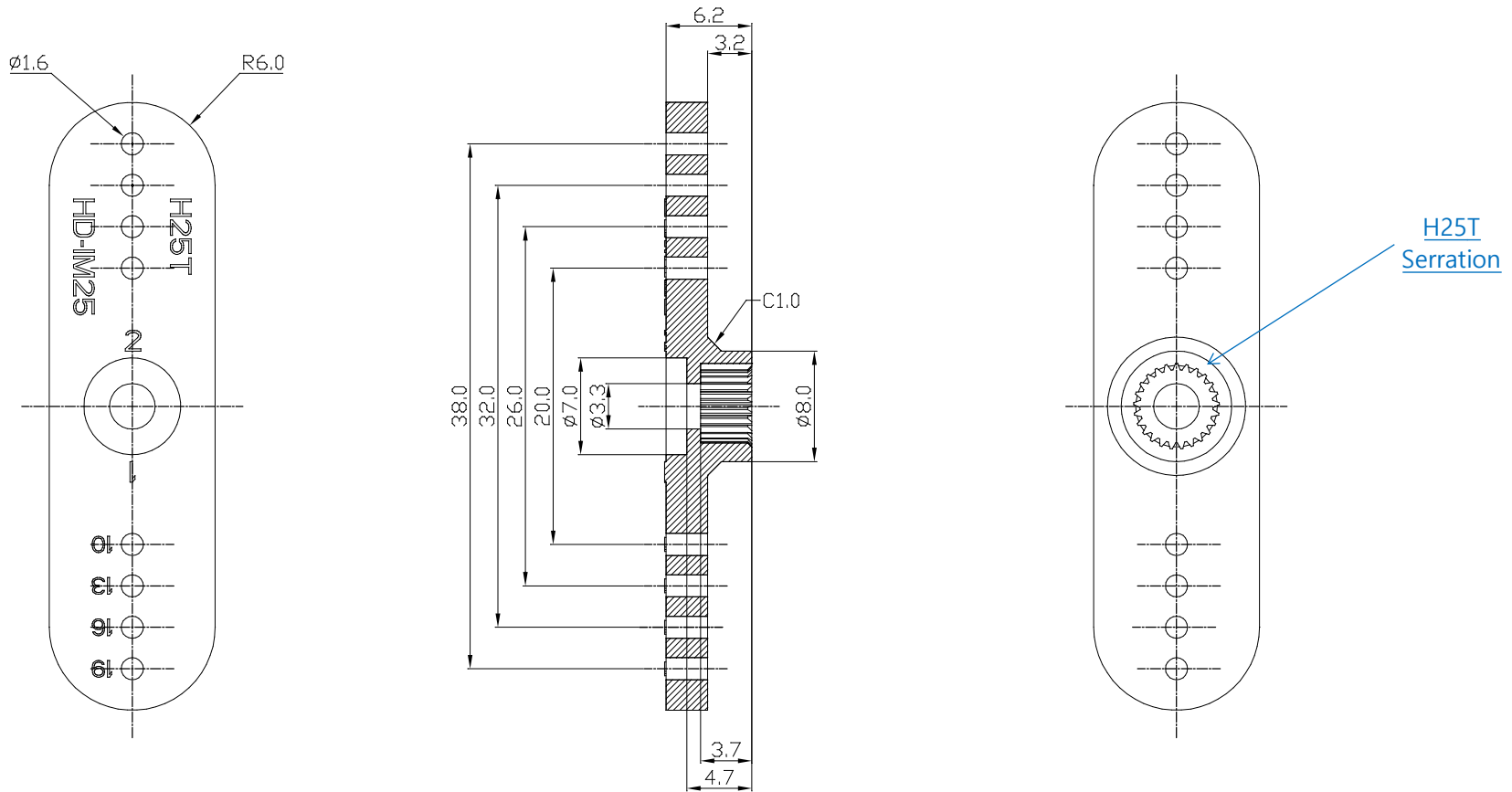
H24T
Serration



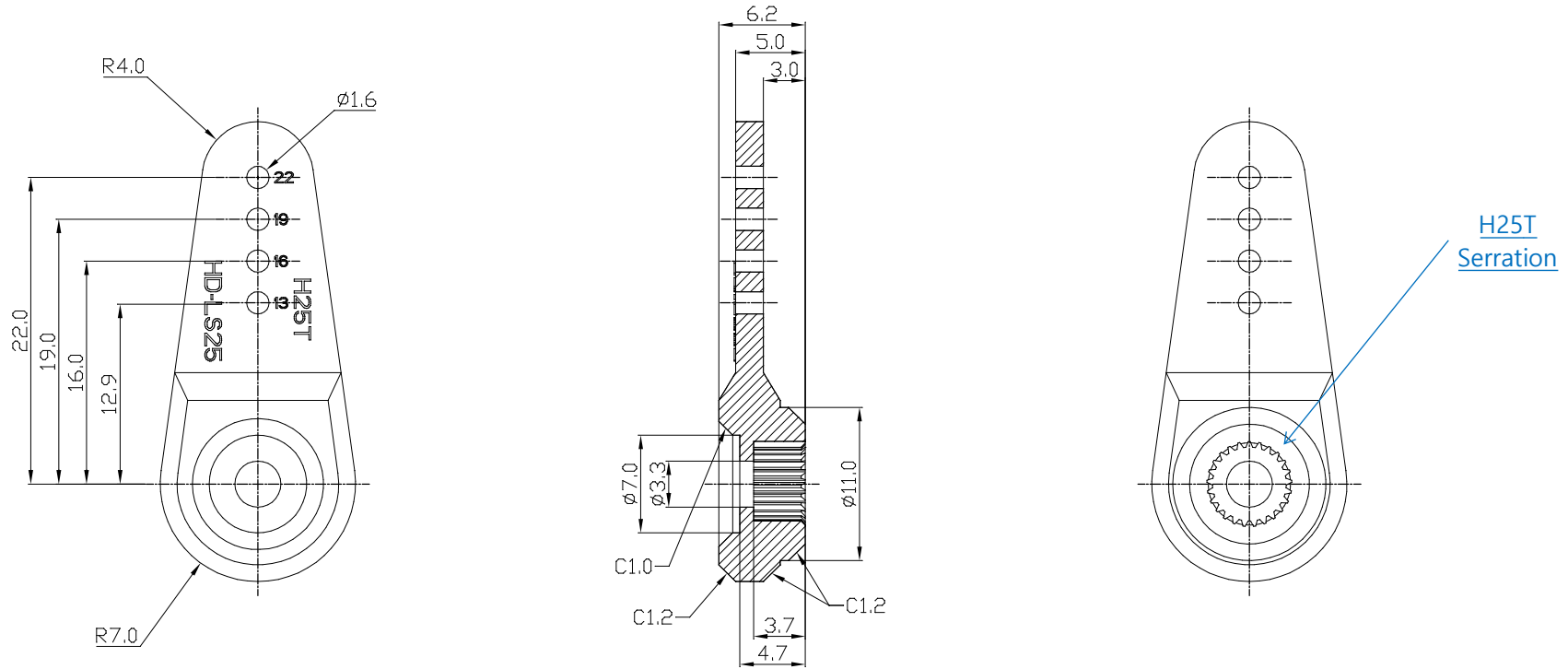
SCALE 2/1	PART NAME R-M024
UNIT : mm	TYPE METAL HORN
Tolerance 0.5~8.99 ±0.05 9.0~119.9 ±0.1 120~315 ±0.2	



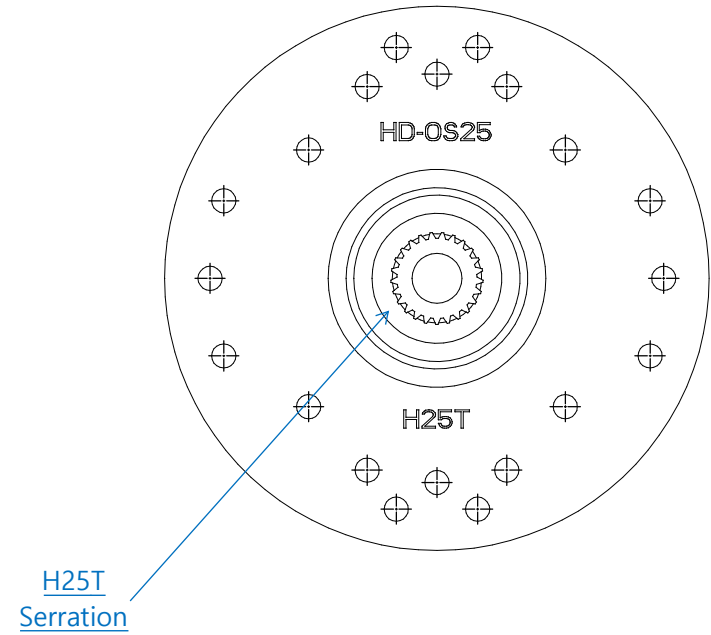
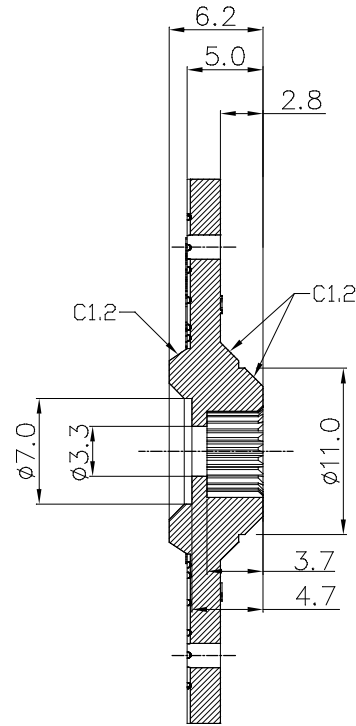
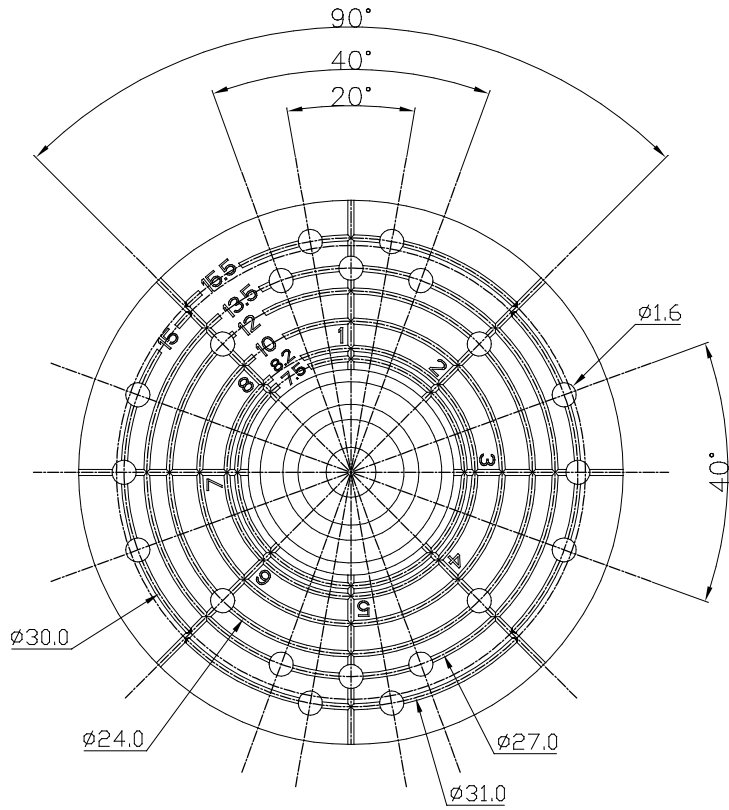
SCALE 2/1	PART NAME Q-MI24
UNIT : mm	TYPE MEGA METAL HORN
Tolerance 0.5~8.99 ±0.05 9.0~119.9 ±0.1 120~315 ±0.2	HITEC



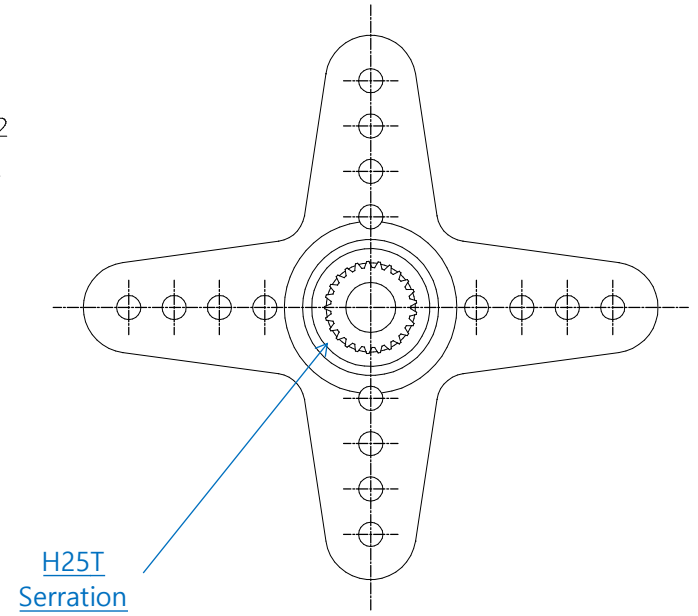
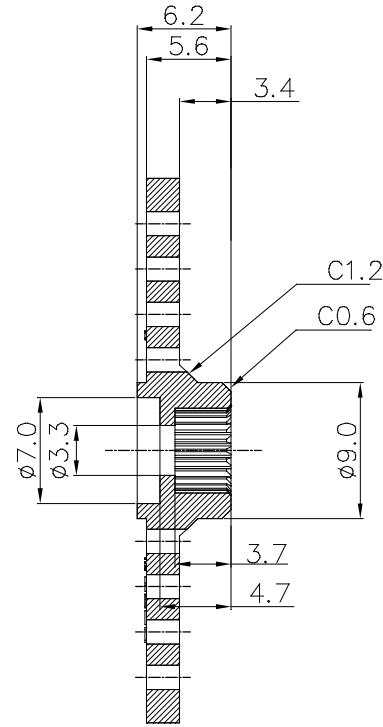
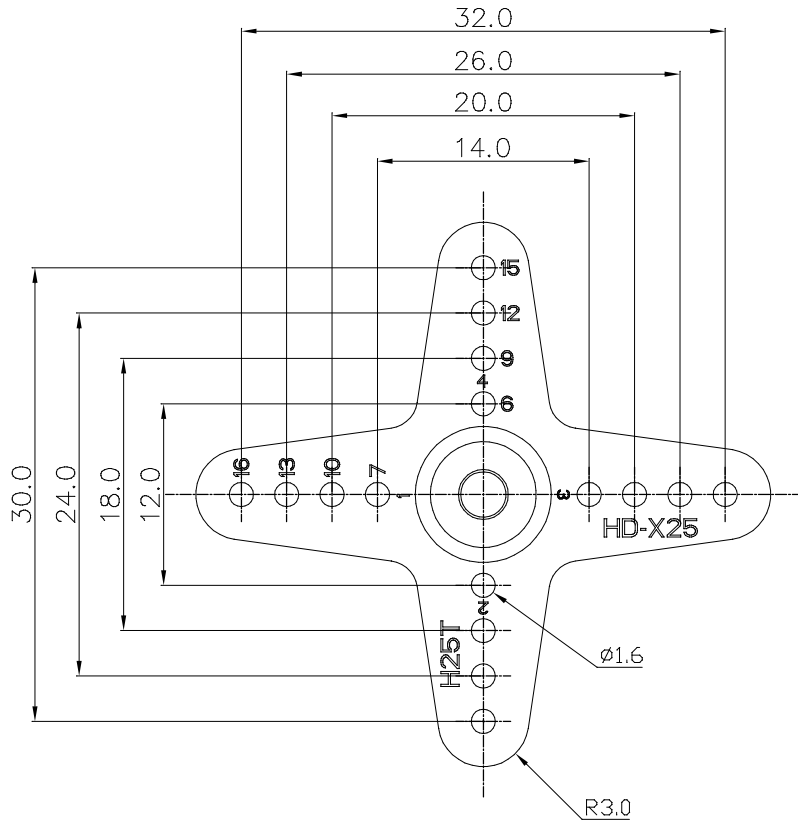
SCALE 2/1	PART NAME HD-IM25
UNIT : mm	TYPE HEAVY DUTY HORN
Tolerance 0.5~8.99 ±0.05 9.0~119.9 ±0.1 120~315 ±0.2	



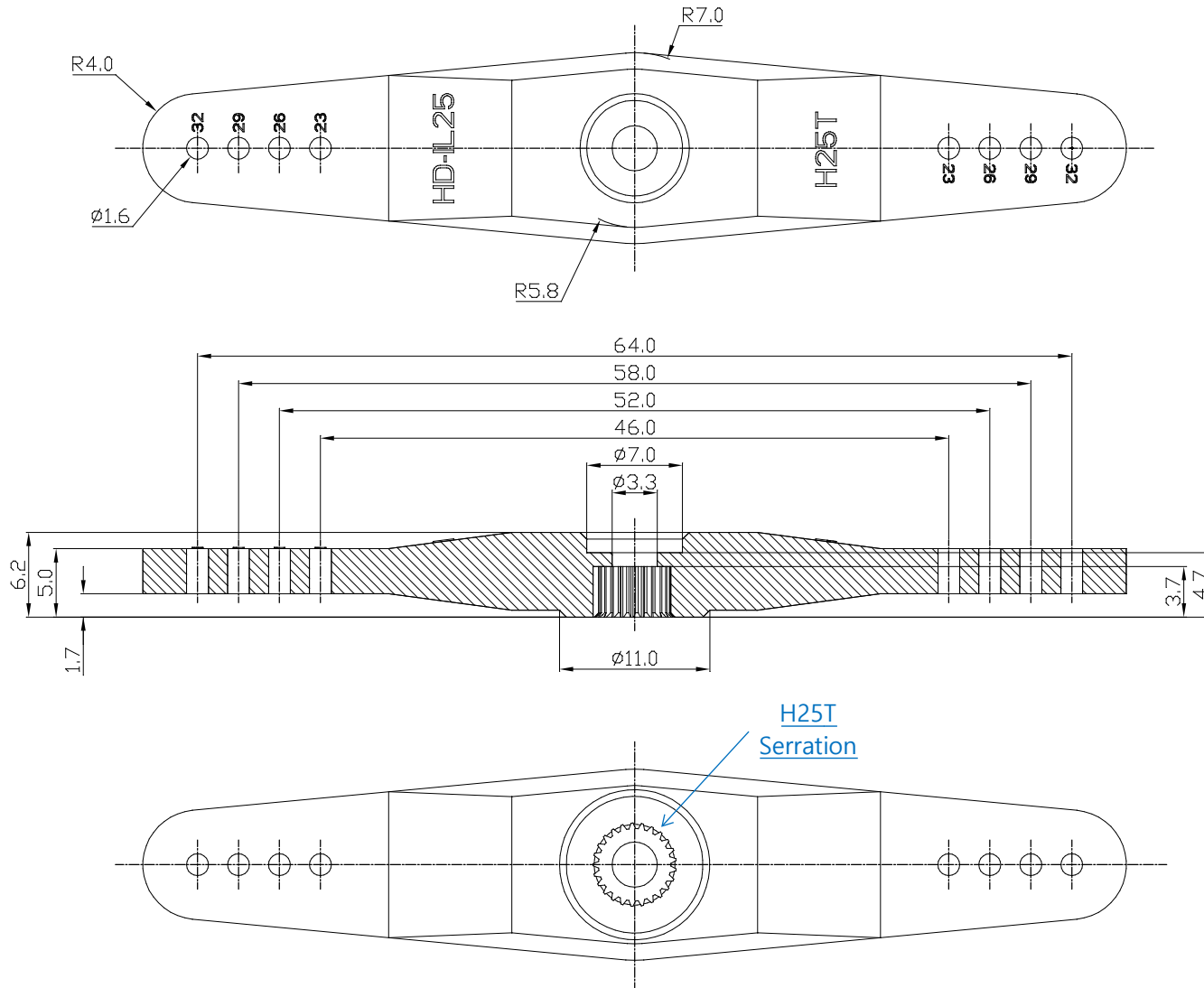
SCALE 2/1	PART NAME HD-LS25
UNIT : mm	TYPE HEAVY DUTY HORN
Tolerance 0.5~8.99 ±0.05 9.0~119.9 ±0.1 120~315 ±0.2	



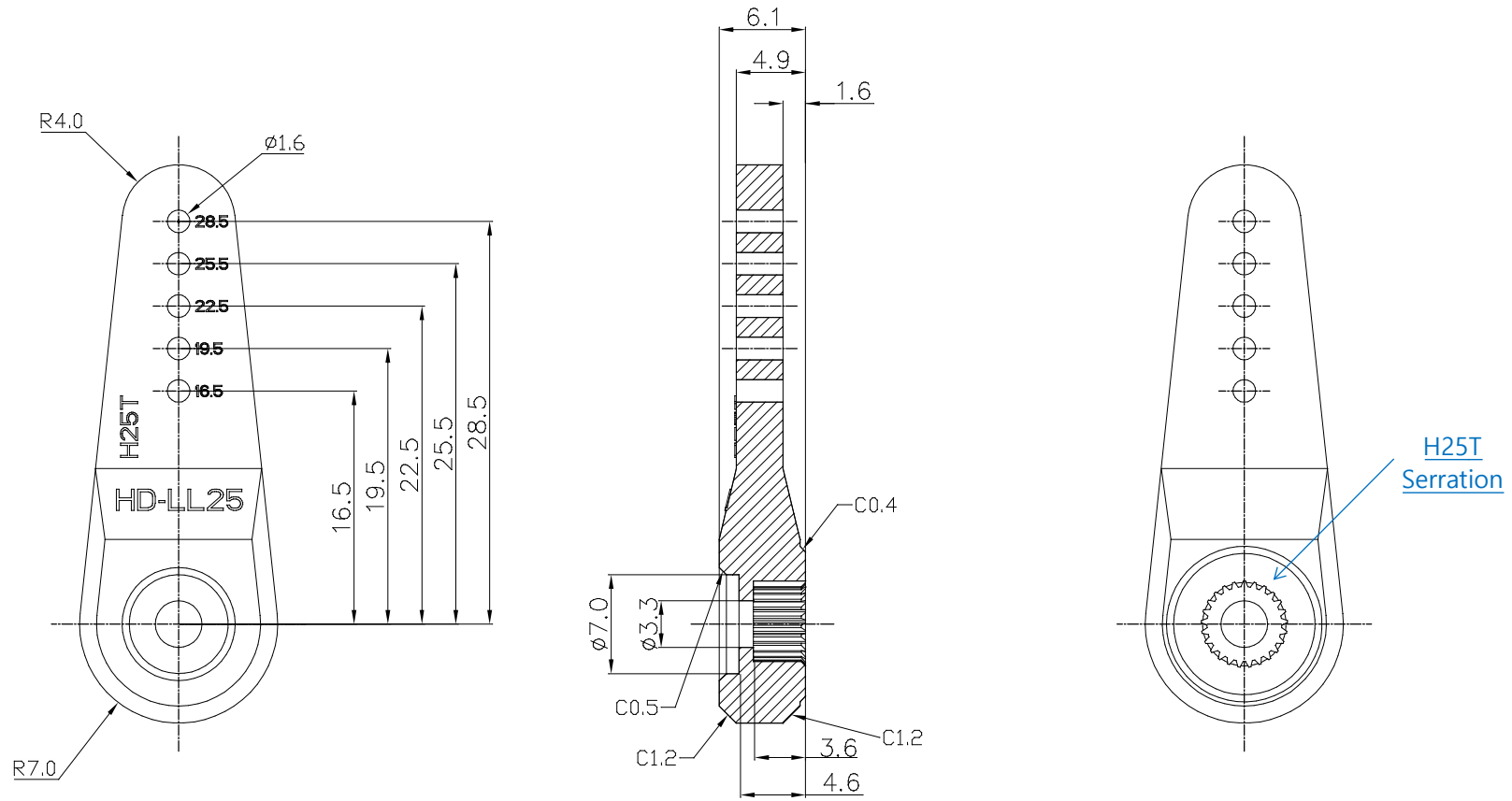
SCALE 2/1	PART NAME HD-OS25
UNIT : mm	TYPE HEAVY DUTY HORN
Tolerance 0.5~8.99 ±0.05 9.0~119.9 ±0.1 120~315 ±0.2	HITEC



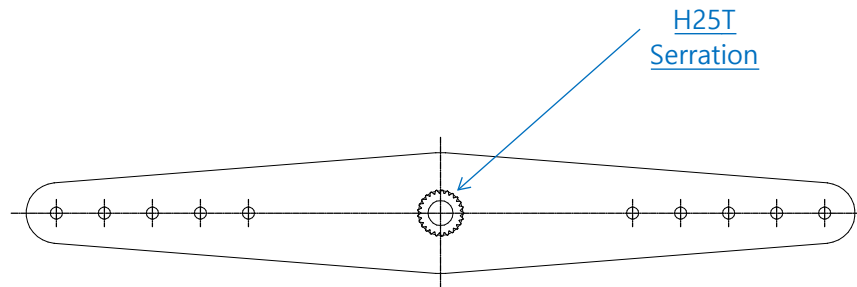
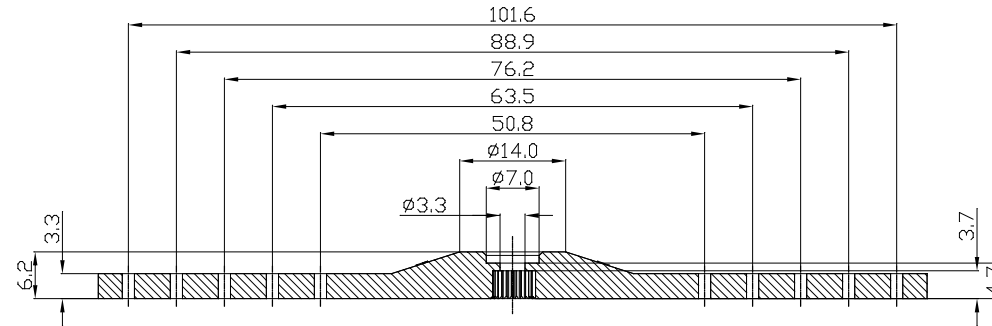
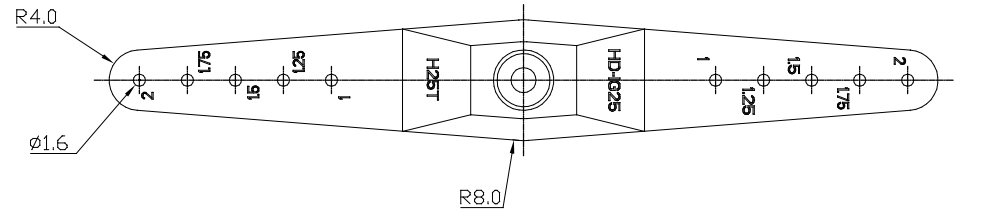
SCALE 2/1	PART NAME HD-XS25
UNIT : mm	TYPE HEAVY DUTY HORN
Tolerance 0.5~8.99 ±0.05 9.0~119.9 ±0.1 120~315 ±0.2	



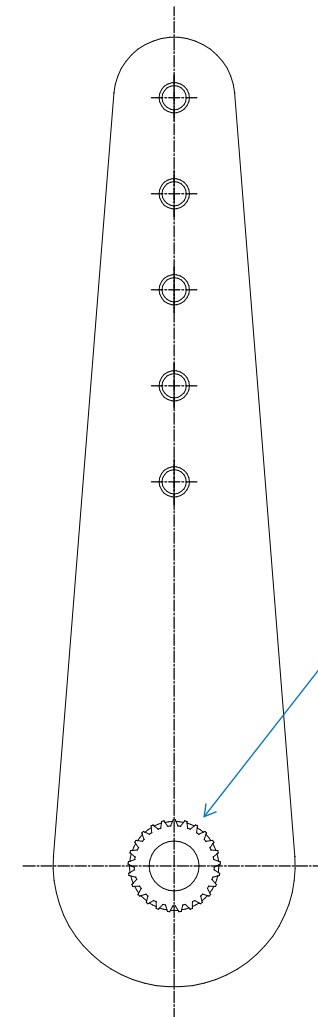
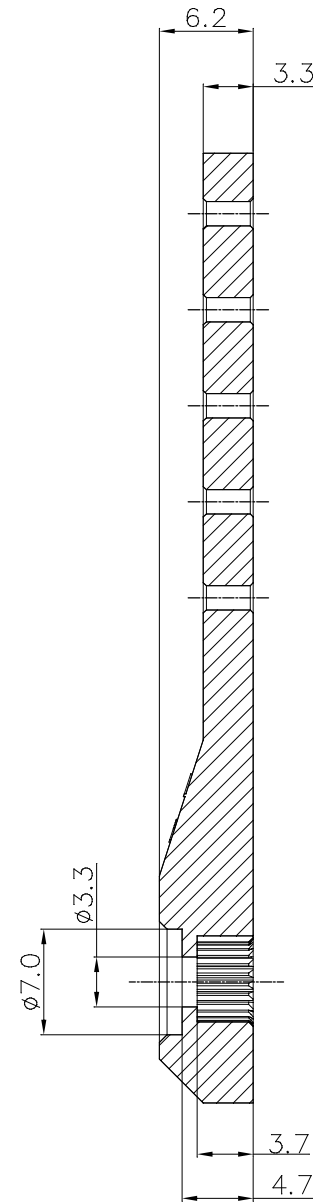
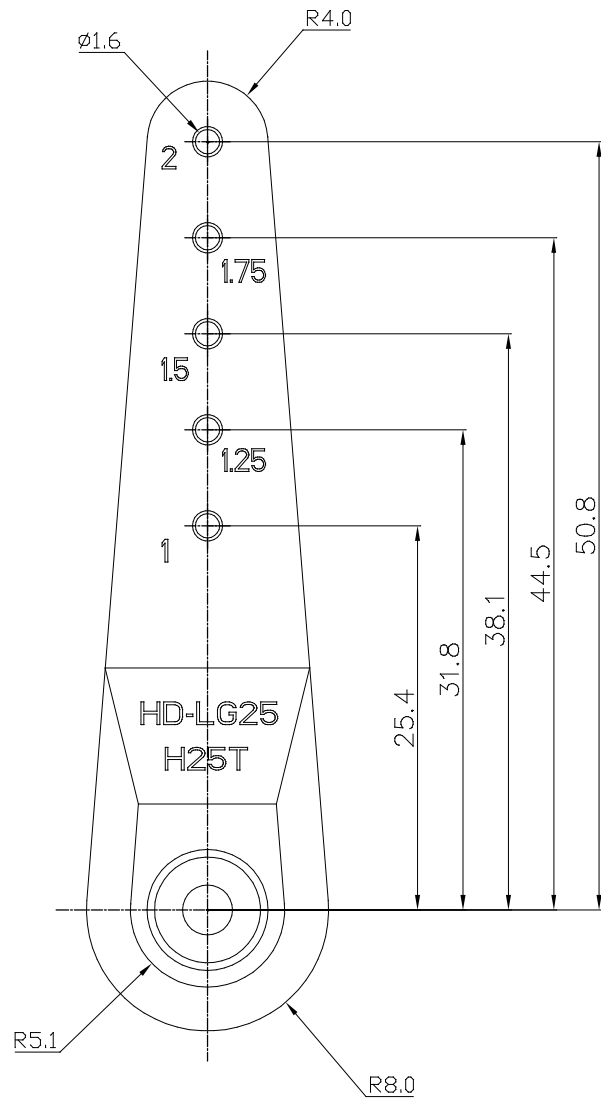
SCALE 2/1	PART NAME HD-IL25
UNIT : mm	TYPE HEAVY DUTY HORN
Tolerance 0.5~8.99 ±0.05 9.0~119.9 ±0.1 120~315 ±0.2	



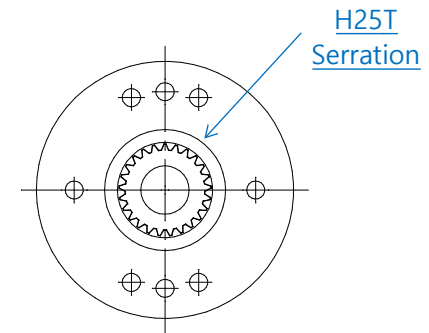
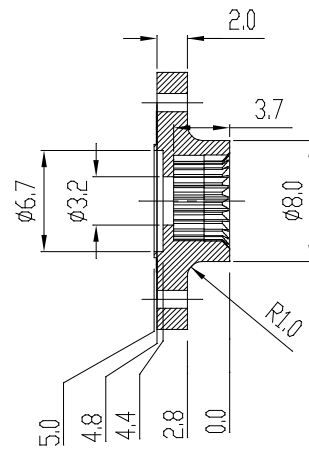
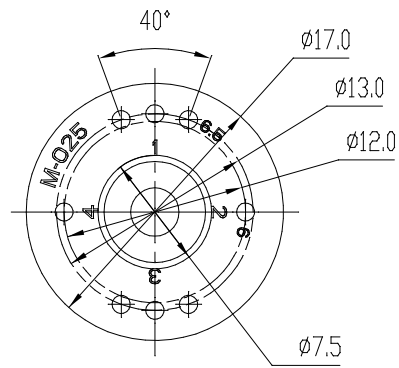
SCALE 2/1	PART NAME HD-LL25
UNIT : mm	TYPE HEAVY DUTY HORN
Tolerance 0.5-8.99 ±0.05 9.0-119.9 ±0.1 120-315 ±0.2	



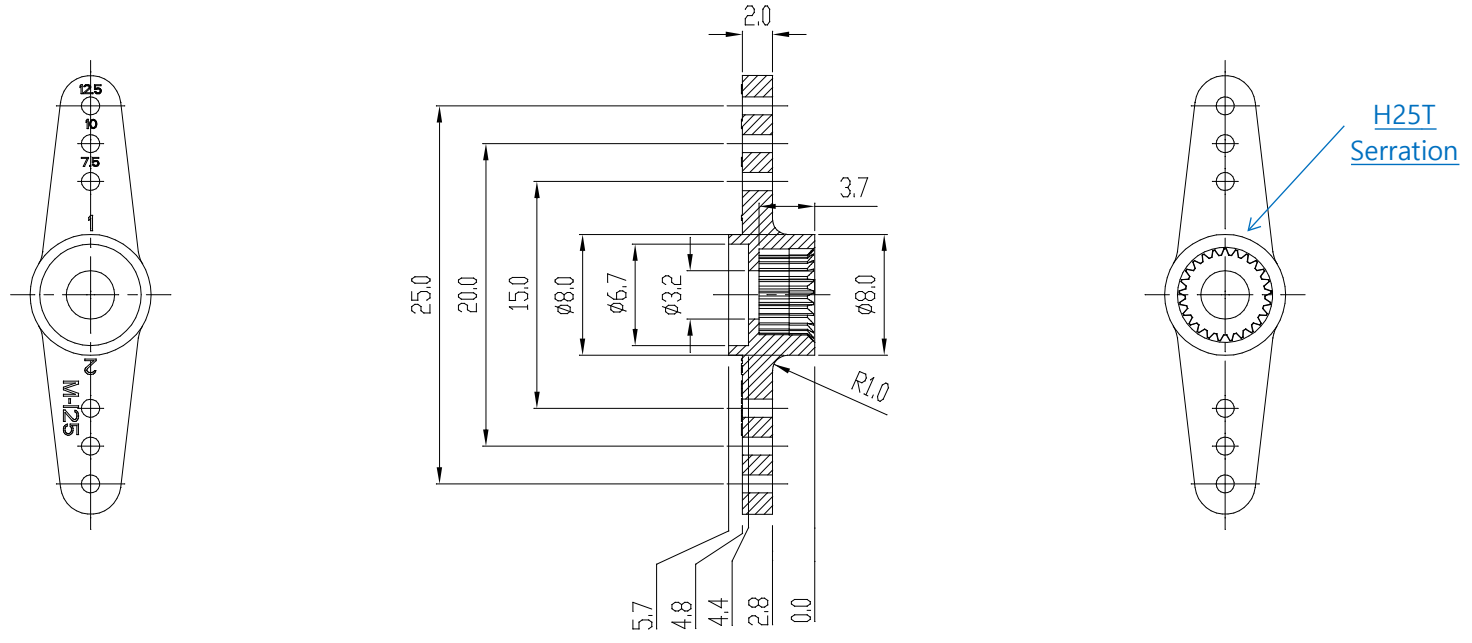
SCALE 1/1	PART NAME HD-IG25
UNIT : mm	TYPE HEAVY DUTY HORN
Tolerance 0.5-8.99 ±0.05 9.0-119.9 ±0.1 120-315 ±0.2	



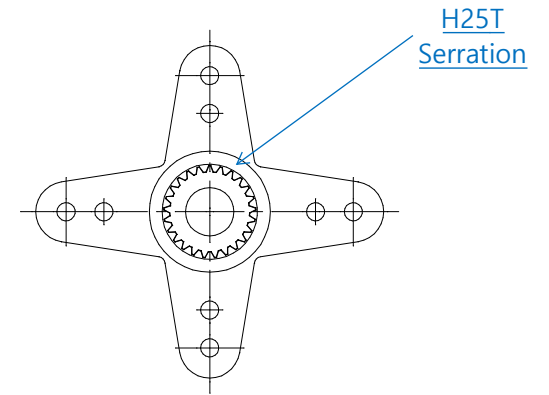
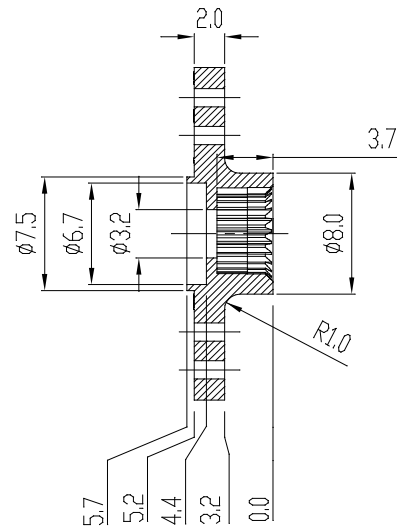
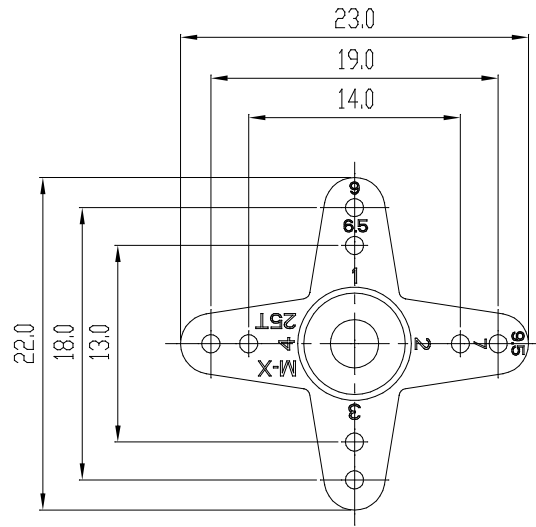
SCALE 2/1	PART NAME HD-LG25
UNIT : mm	TYPE H25T HORN
Tolerance 0.5-8.99 ± 0.05 9.0-119.9 ± 0.1 120-315 ± 0.2	HITEC



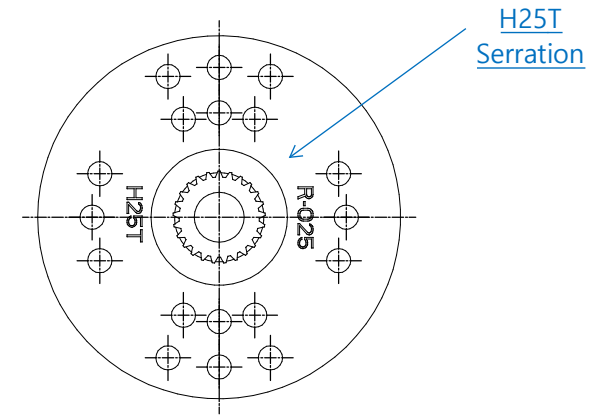
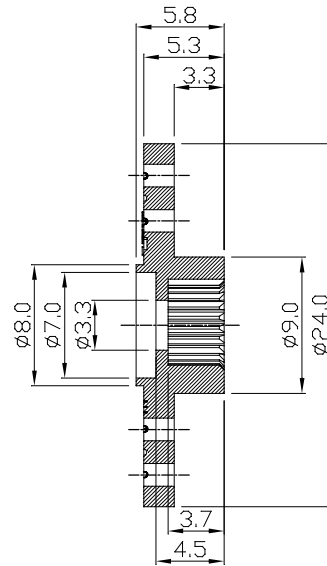
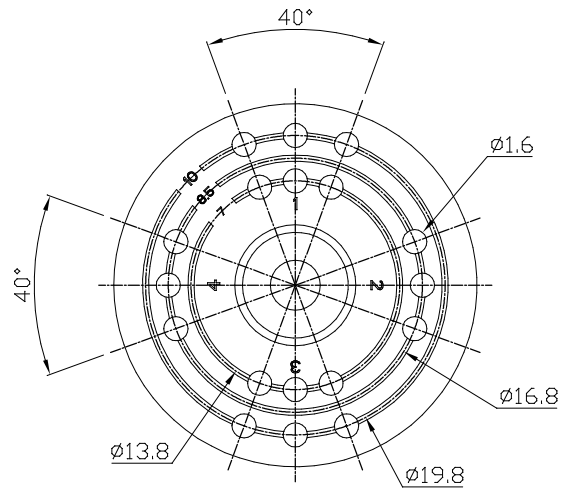
SCALE 2/1	PART NAME	M-025
UNIT : mm	TYPE	MICRO HORN
Tolerance 0.5-8.99 ±0.05 9.0-119.9 ±0.1 120-315 ±0.2		HITEC



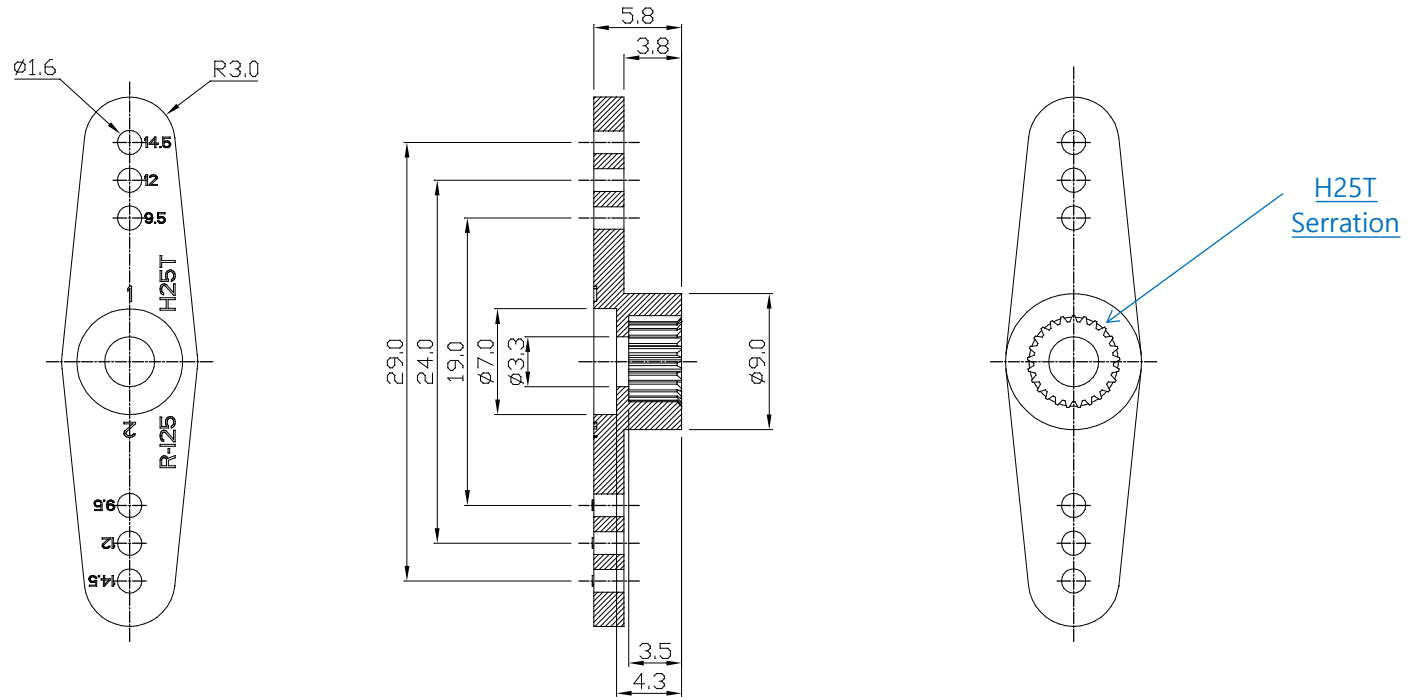
SCALE 2/1	PART NAME M-I25
UNIT : mm	TYPE MICRO HORN
Tolerance 0.5-8.99 ± 0.05 9.0-119.9 ± 0.1 120-315 ± 0.2	



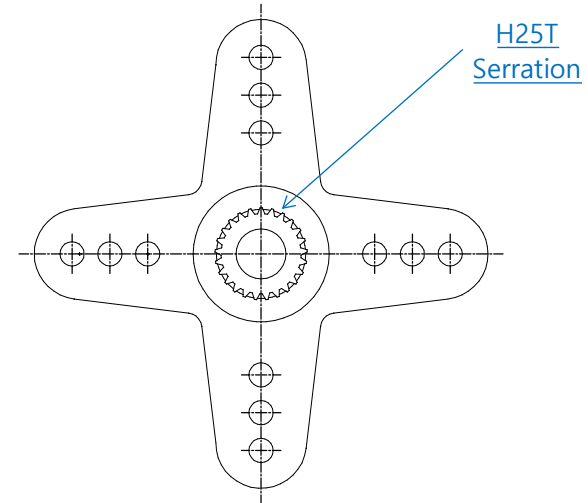
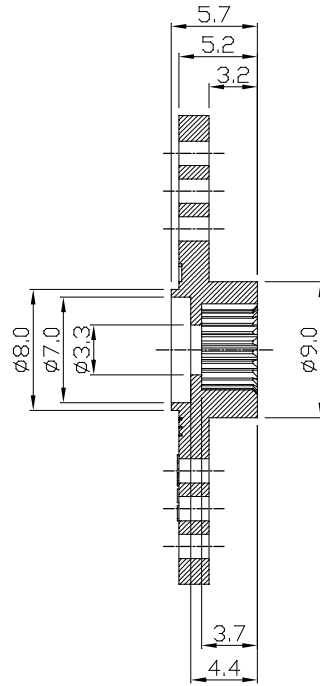
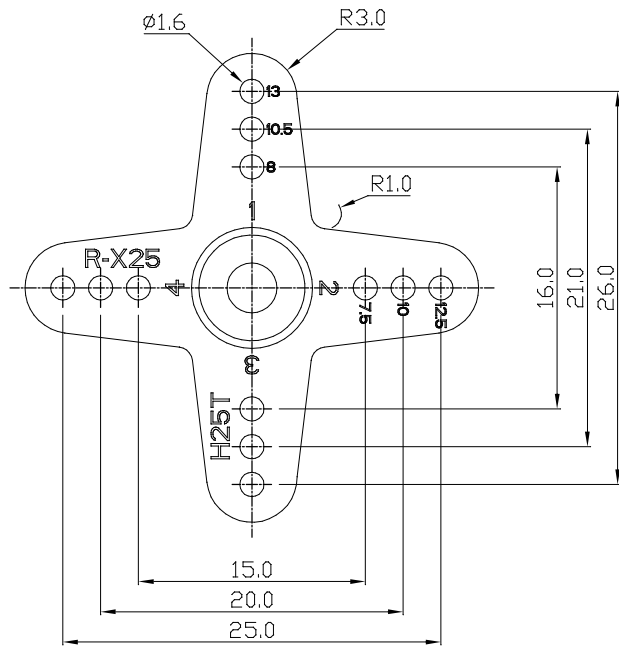
SCALE 2/1	PART NAME	M-X25
UNIT : mm	TYPE	MICRO HORN
Tolerance 0.5-8.99 ±0.05 9.0-119.9 ±0.1 120-315 ±0.2		



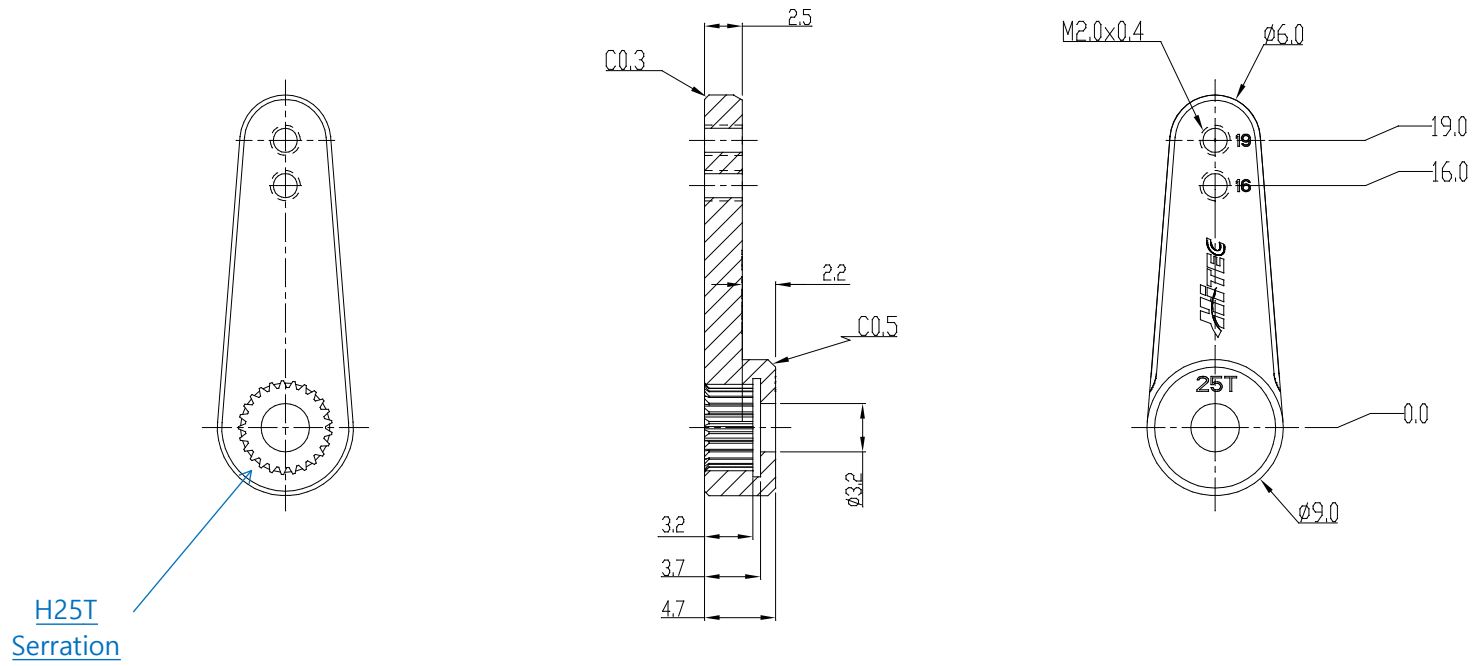
SCALE 2/1	PART NAME R-025
UNIT : mm	TYPE REGULAR HORN
Tolerance 0.5~8.99 ±0.05 9.0~119.9 ±0.1 120~315 ±0.2	



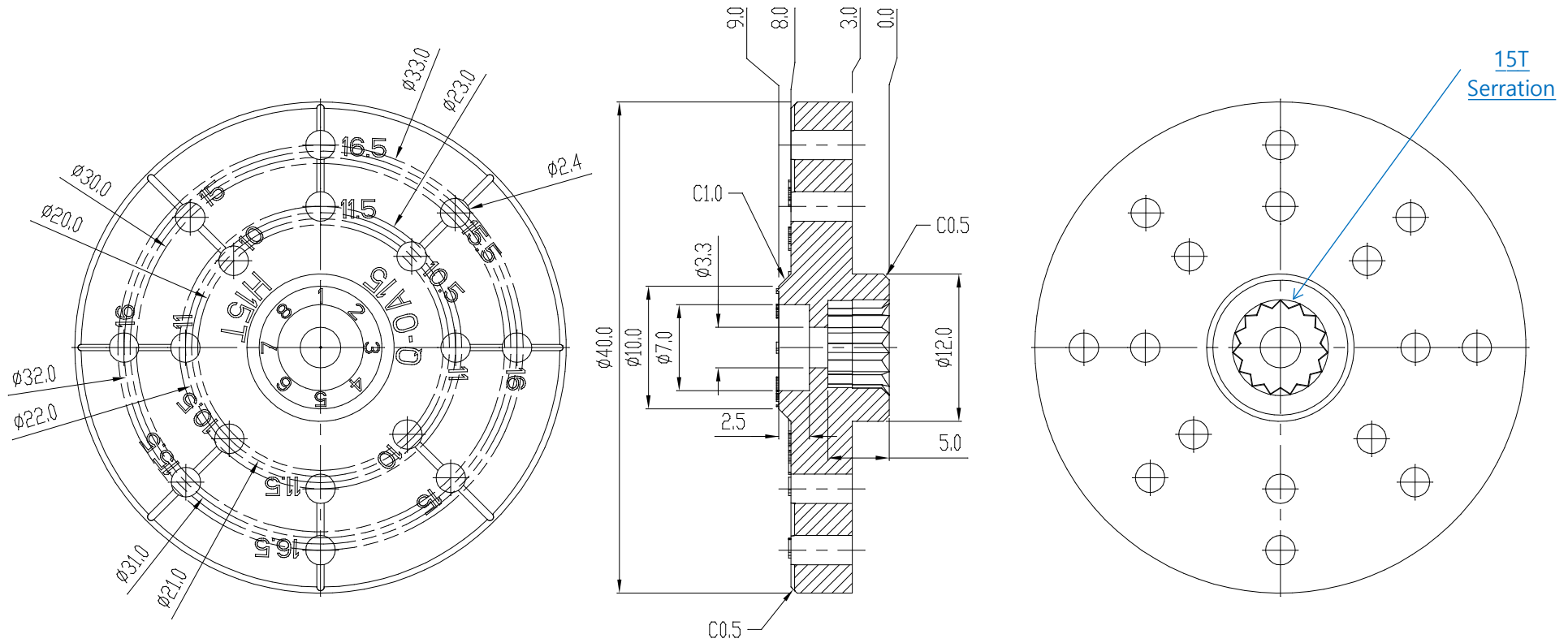
SCALE 2/1	PART NAME R-I25
UNIT : mm	TYPE REGULAR HORN
Tolerance 0.5~8.99 ±0.05 9.0~119.9 ±0.1 120~315 ±0.2	



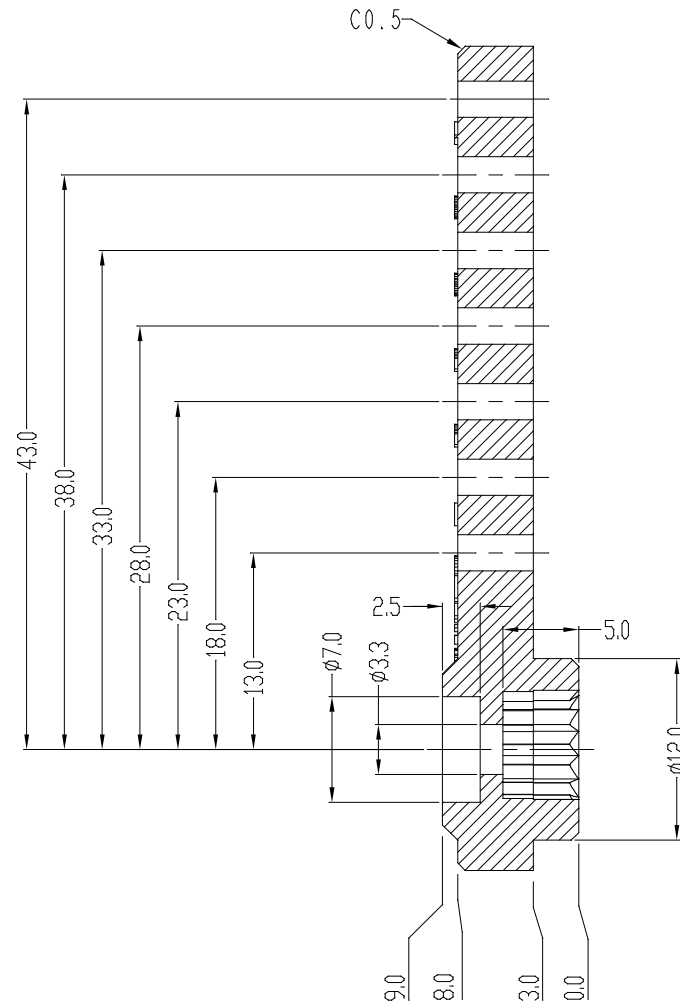
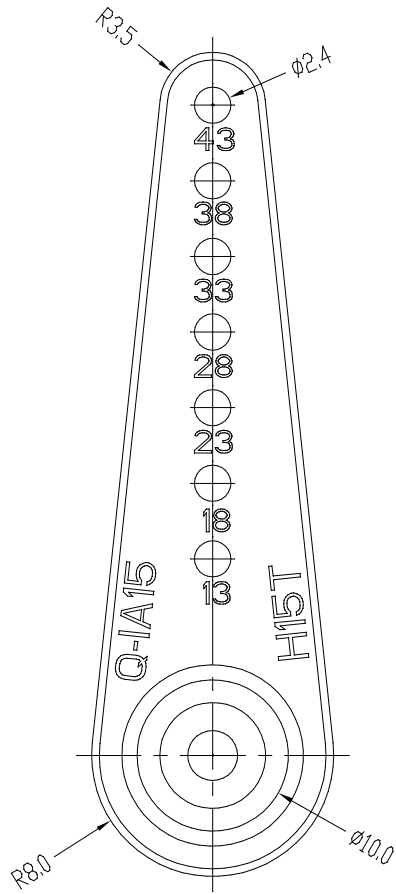
SCALE 2/1	PART NAME R-X25
UNIT : mm	TYPE REGULAR HORN
Tolerance 0.5~8.99 ±0.05 9.0~119.9 ±0.1 120~315 ±0.2	



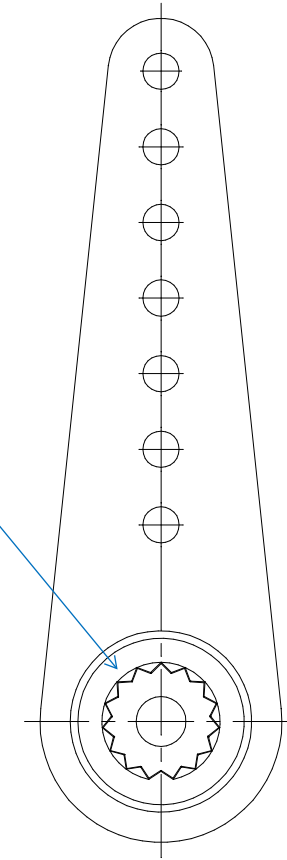
SCALE 2/1	PART NAME	R-ML25
UNIT : mm	TYPE	METAL HORN
Tolerance 0.5-8.99 ±0.05 9.0-119.9 ±0.1 120-315 ±0.2	HITEC	



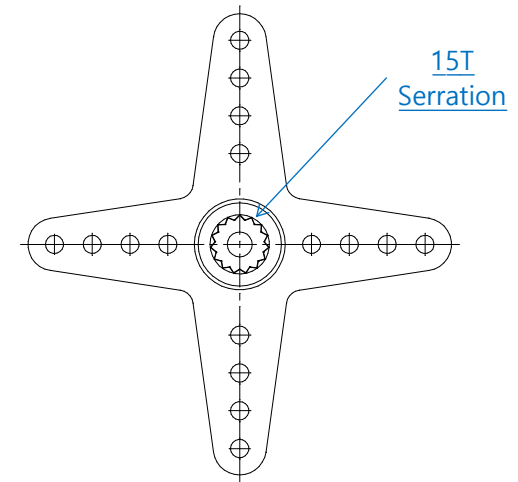
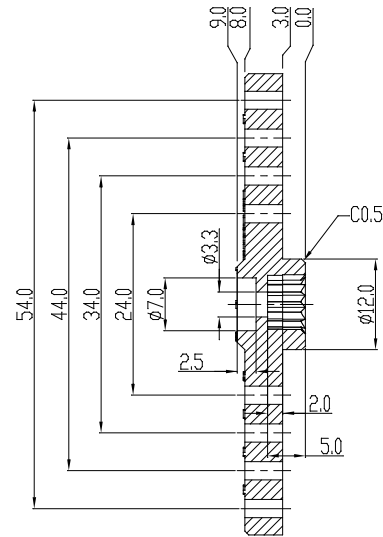
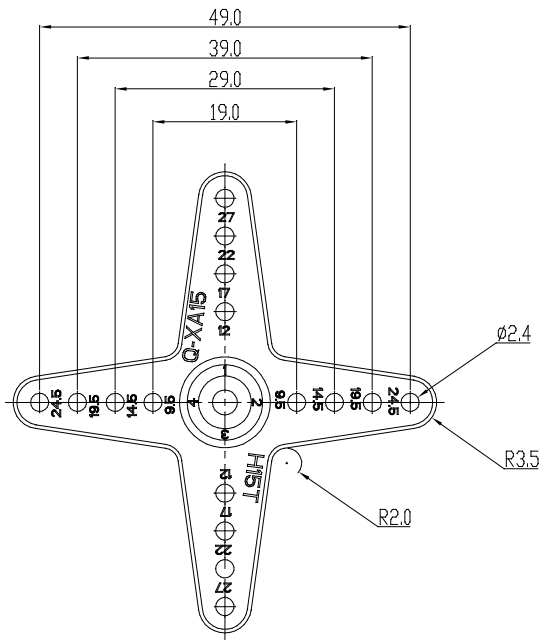
SCALE 2/1	PART NAME Q-DA15
UNIT : mm	TYPE MEGA HORN
Tolerance 0.5-8.99 ±0.05 9.0-119.9 ±0.1 120-315 ±0.2	



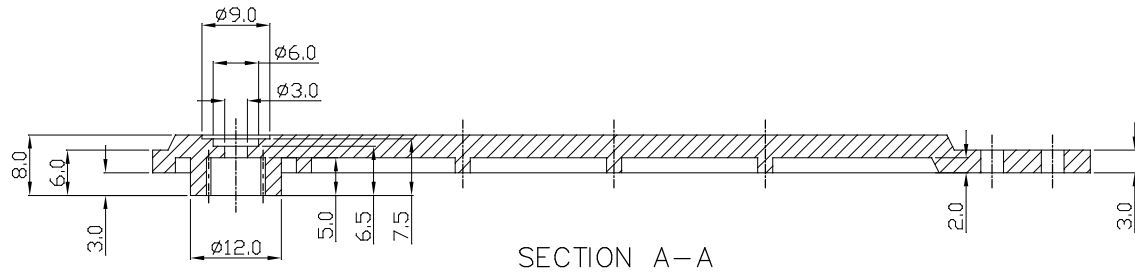
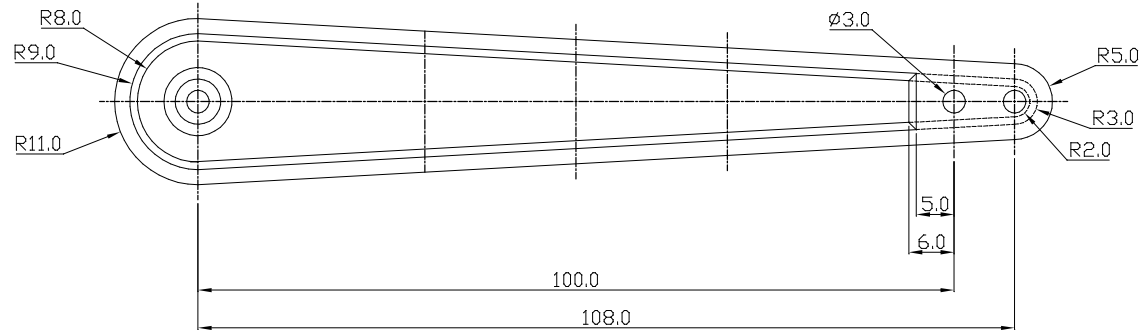
15T
Serration



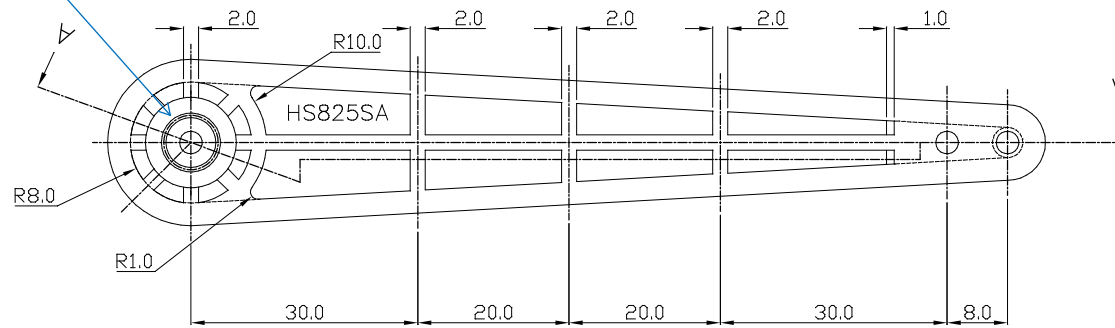
SCALE 2/1	PART NAME Q-IA15
UNIT : mm	TYPE MEGA HORN
Tolerance 0.5-8.99 ±0.05 9.0-119.9 ±0.1 120-315 ±0.2	



SCALE 1/1	PART NAME	Q-XA15
UNIT : mm	TYPE	MEGA HORN
Tolerance 0.5-8.99 ±0.05 9.0-119.9 ±0.1 120-315 ±0.2	HITEC	

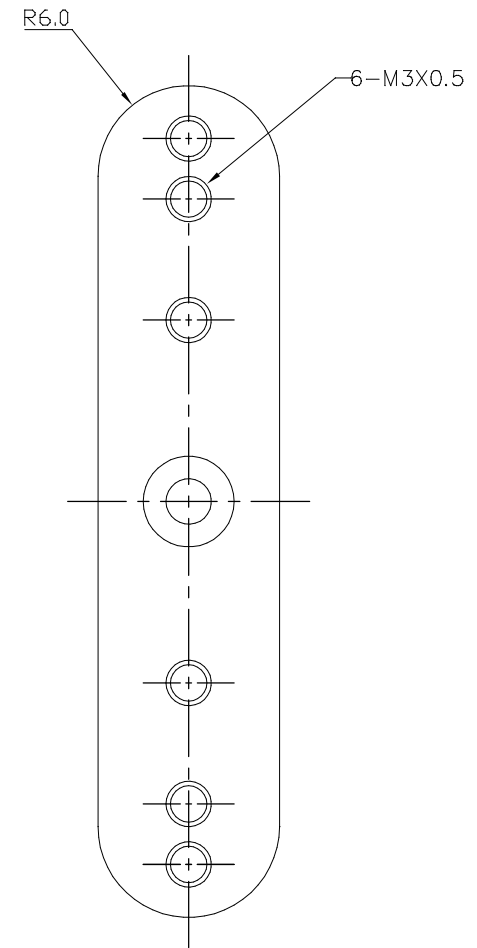
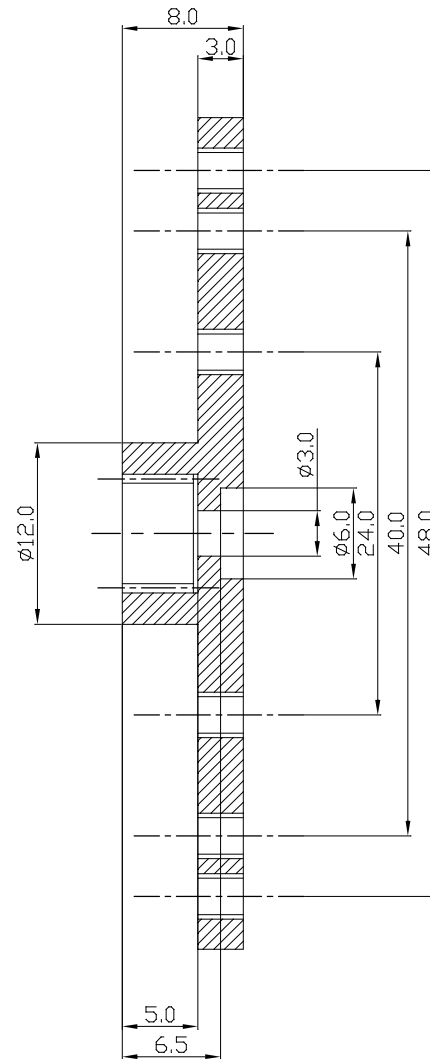
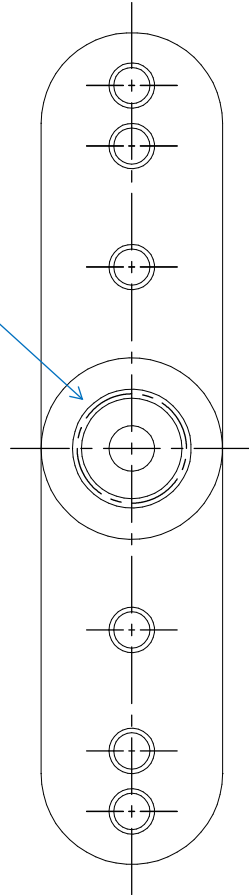


15T
Serration



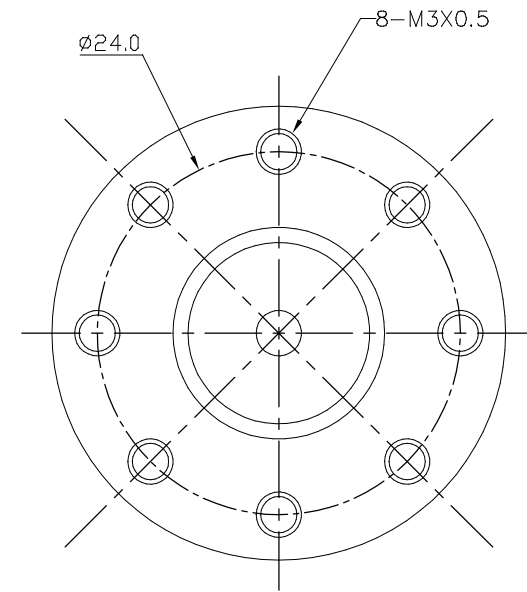
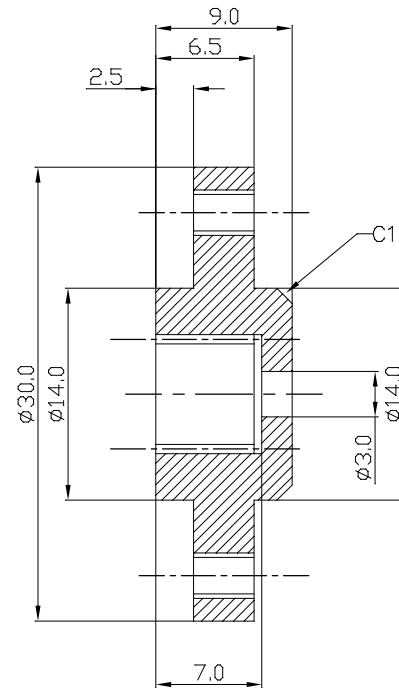
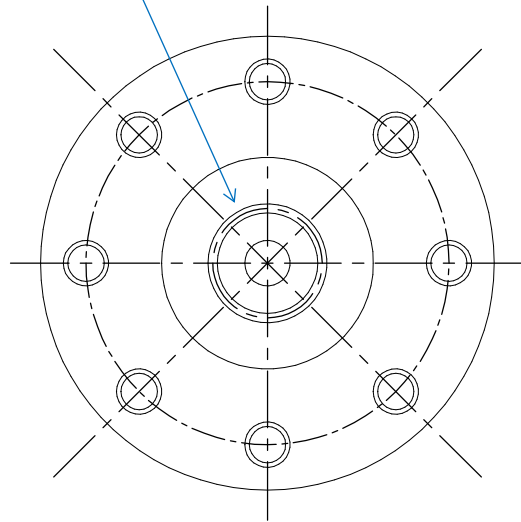
SCALE 1/1	PART NAME 825SA-15
UNIT : mm	TYPE SAIL ARM HORN
Tolerance 0.5~8.99 ±0.05 9.0~119.9 ±0.1 120~315 ±0.2	HITEC

15T
Serration

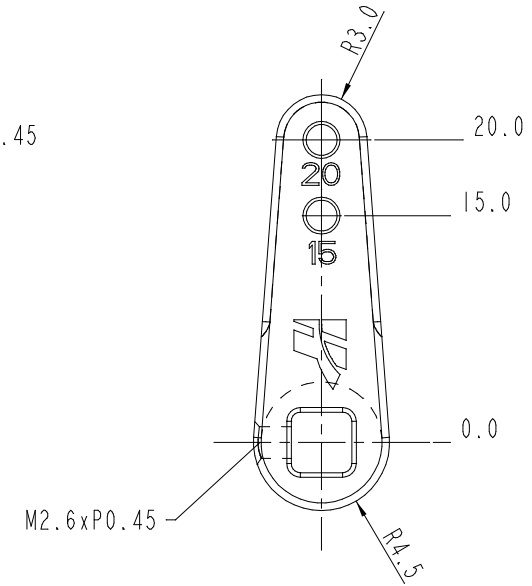
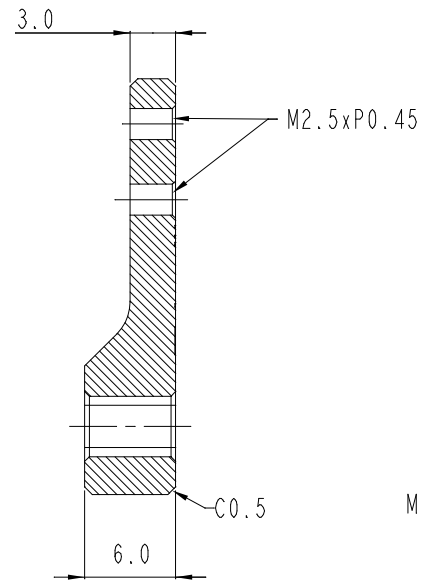
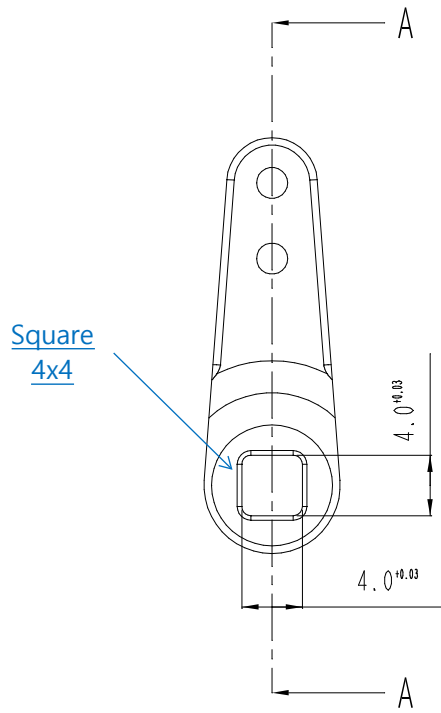


SCALE 2/1	PART NAME Q-MIA15
UNIT : mm	TYPE MEGA METAL HORN
Tolerance 0.5~8.99 ±0.05 9.0~119.9 ±0.1 120~315 ±0.2	

15T
Serration

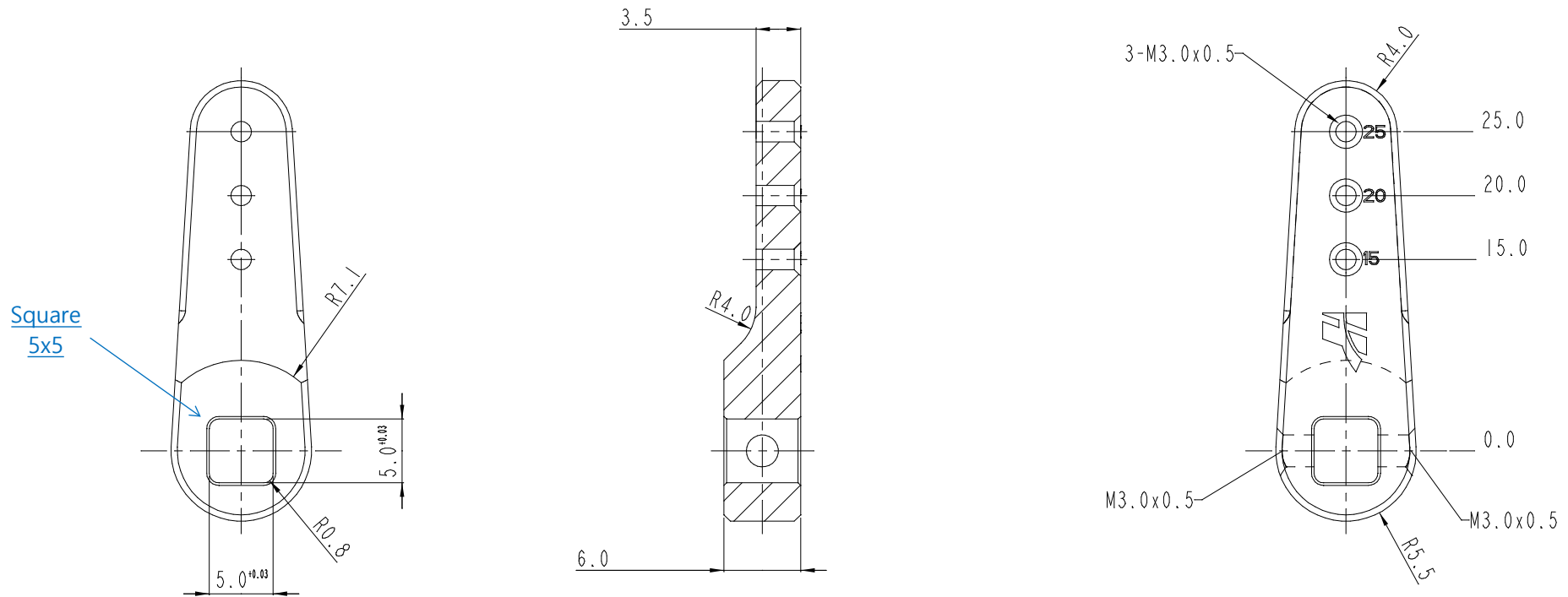


SCALE 2/1	PART NAME I-M015
UNIT : mm	TYPE MEGA METAL HORN
Tolerance 0.5~8.99 ±0.05 9.0~119.9 ±0.1 120~315 ±0.2	HITEC

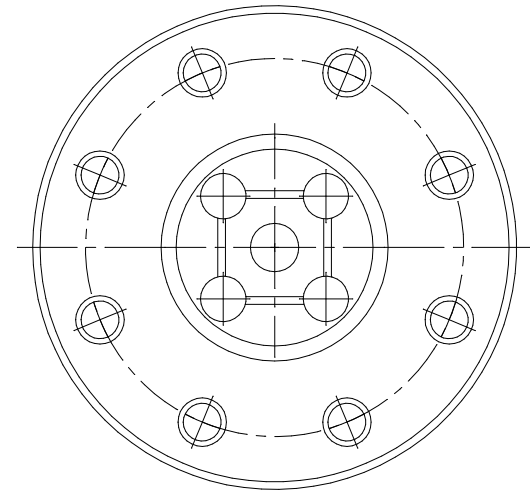
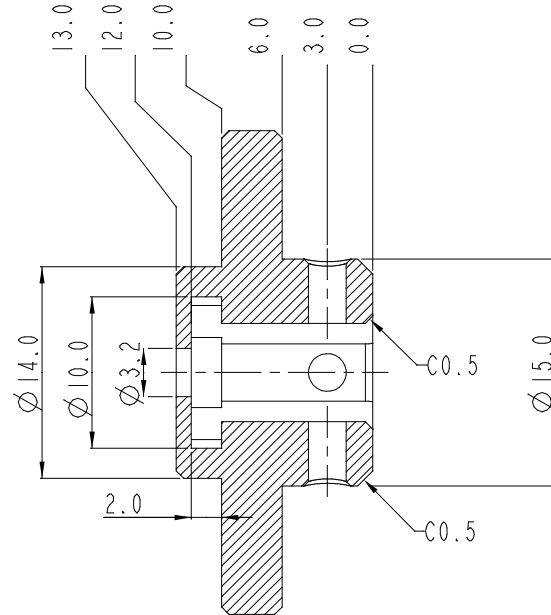
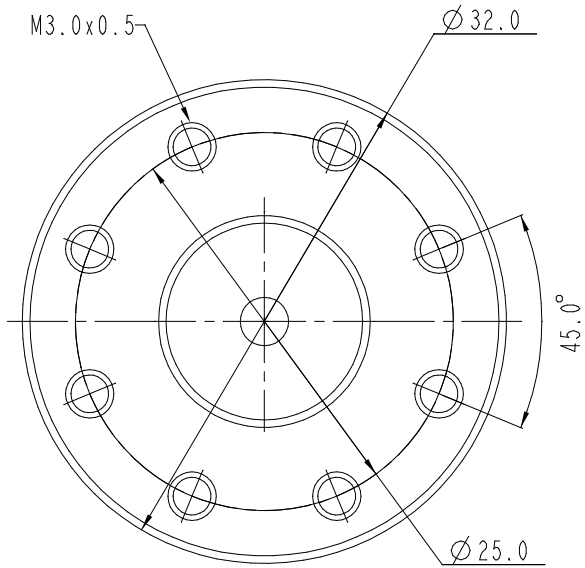


SECTION A - A

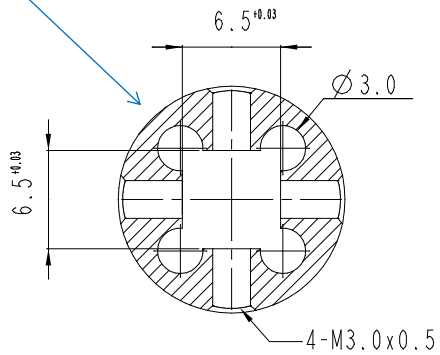
SCALE 2/1	PART NAME MIS4-A
UNIT : mm	TYPE SQUARE HORN
Tolerance 0.5-8.99 ±0.05 9.0-119.9 ±0.1 120-315 ±0.2	



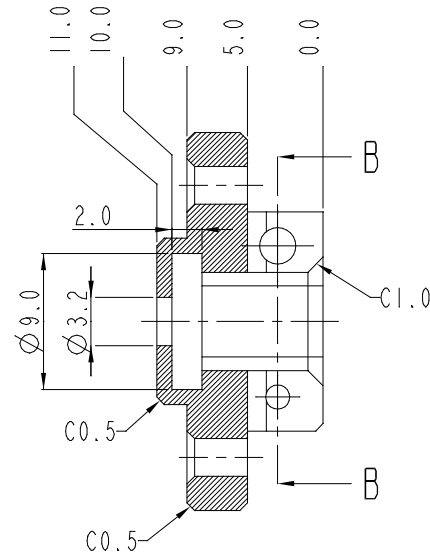
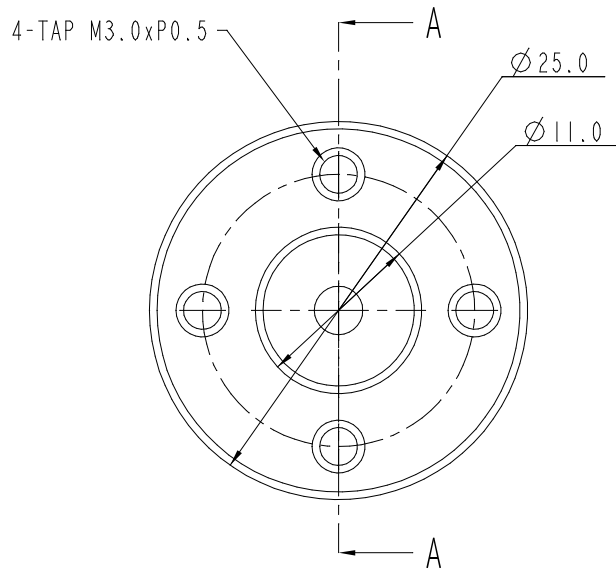
SCALE 2/1	PART NAME	MIS5-A
UNIT : mm	TYPE	SQUARE HORN
Tolerance 0.5-8.99 ±0.05 9.0-119.9 ±0.1 120-315 ±0.2	HITEC	



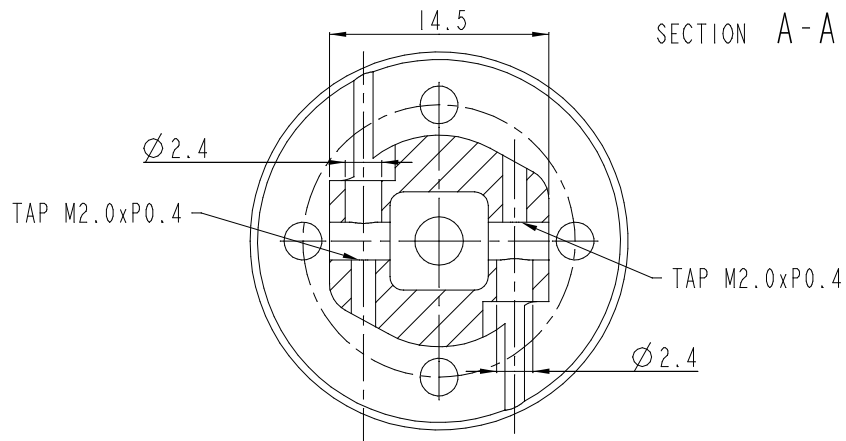
Square
6.5x6.5



SCALE 2/1	PART NAME MDS6.5-S
UNIT : mm	TYPE SQUARE HORN
Tolerance 0.5-8.99 ±0.05 9.0-119.9 ±0.1 120-315 ±0.2	

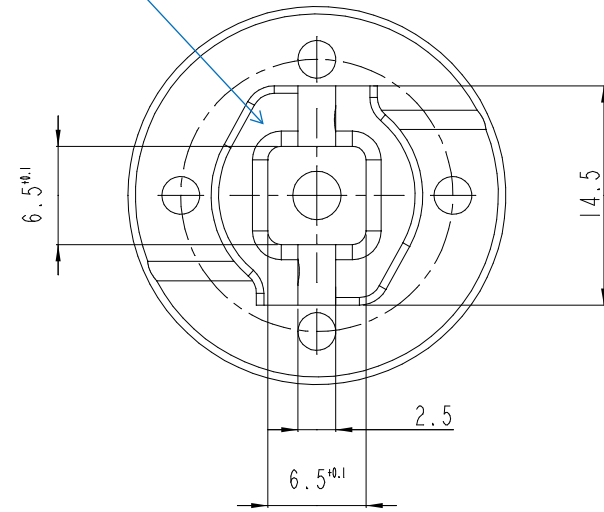


SECTION A-A

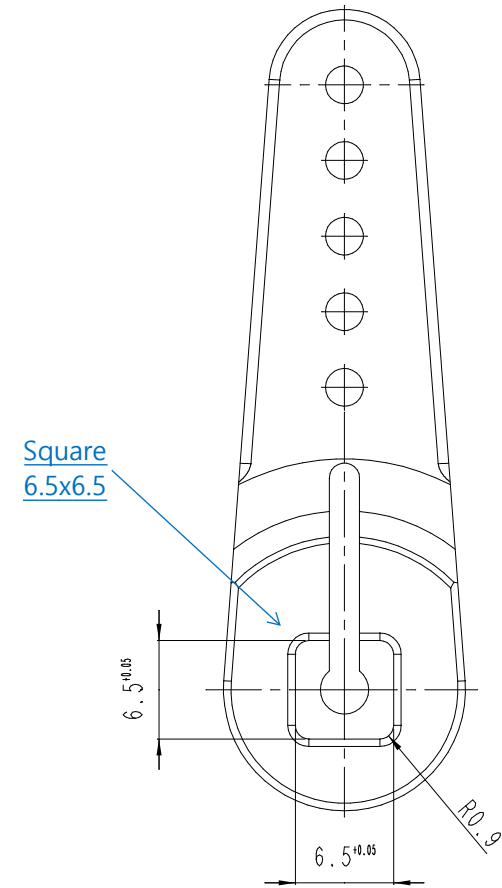
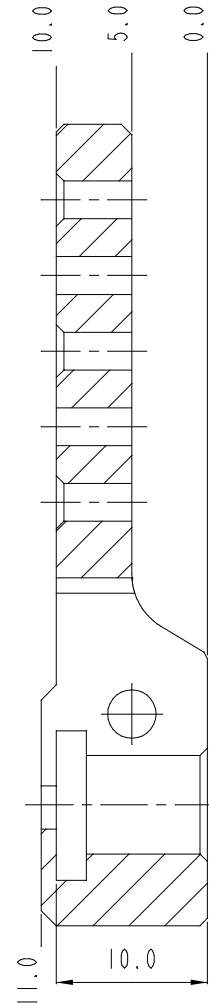
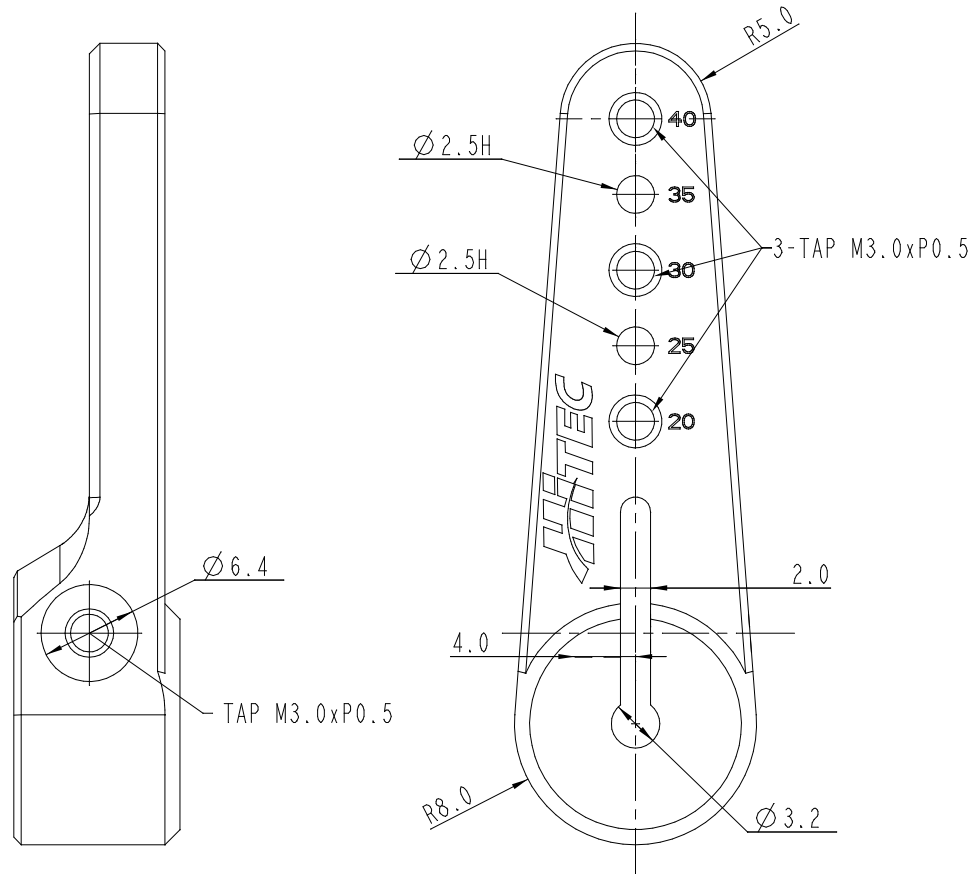


SECTION B-B

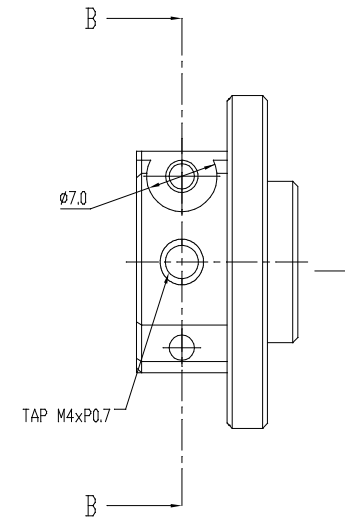
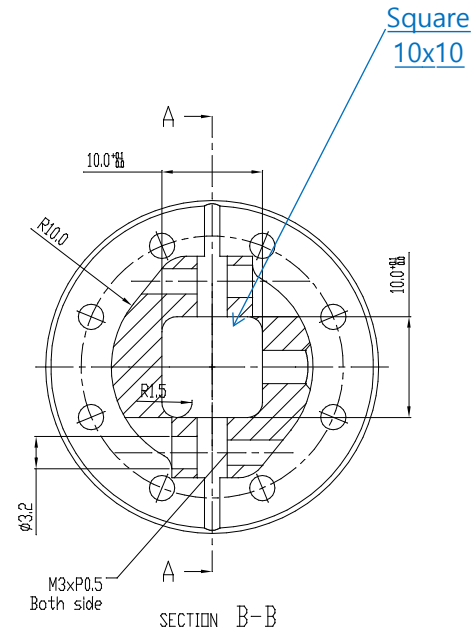
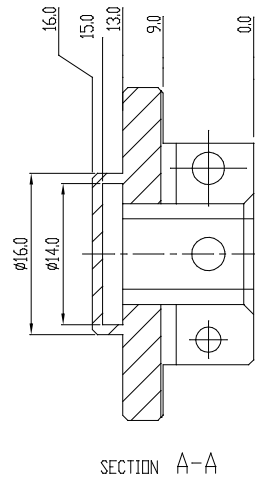
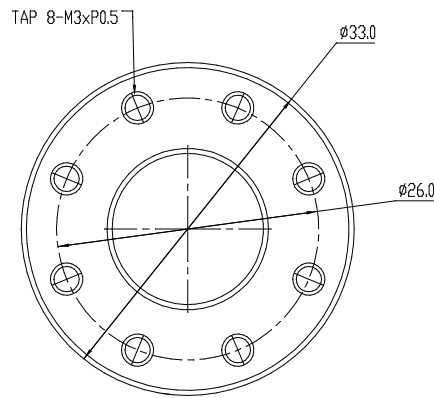
Square
6.5x6.5



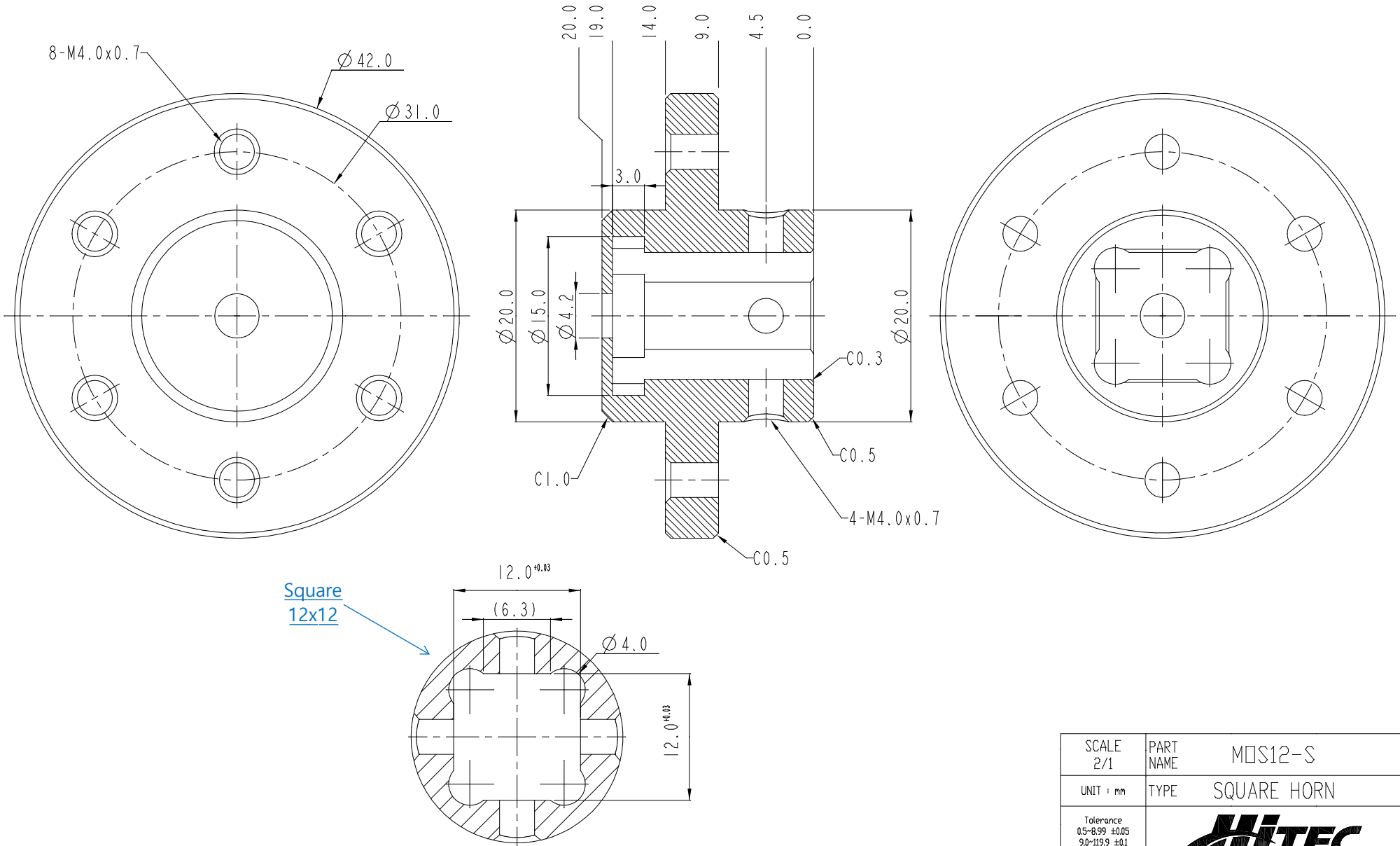
SCALE 2/1	PART NAME MOS6.5-A
UNIT : mm	TYPE SQUARE HORN
Tolerance 0.5~8.99 ±0.05 9.0~119.9 ±0.1 120~315 ±0.2	



SCALE 2/1	PART NAME MIS6.5-A
UNIT : mm	TYPE SQUARE HORN
Tolerance 05~899 ±0.05 90~1199 ±0.1 120~315 ±0.2	



SCALE 1/1	PART NAME MOS10-A
UNIT : mm	TYPE SQUARE HORN
Tolerance 0.5-8.99 ±0.05 9.0-119.9 ±0.1 120-315 ±0.2	



SCALE 2/1	PART NAME MOS12-S
UNIT : mm	TYPE SQUARE HORN
Tolerance 0.5-8.99 ±0.05 9.0-119.9 ±0.1 120-315 ±0.2	HITEC



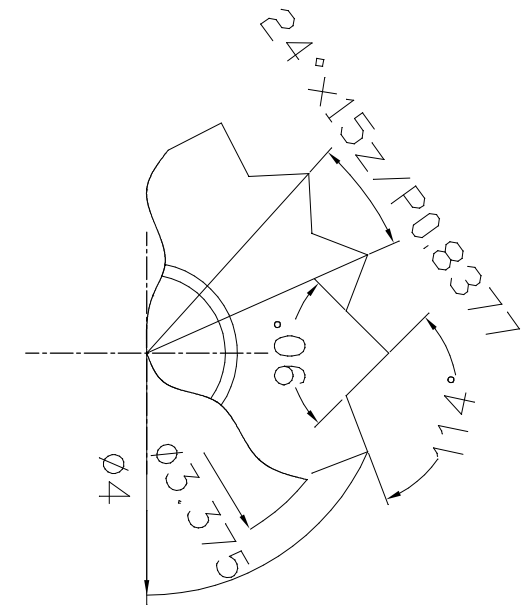
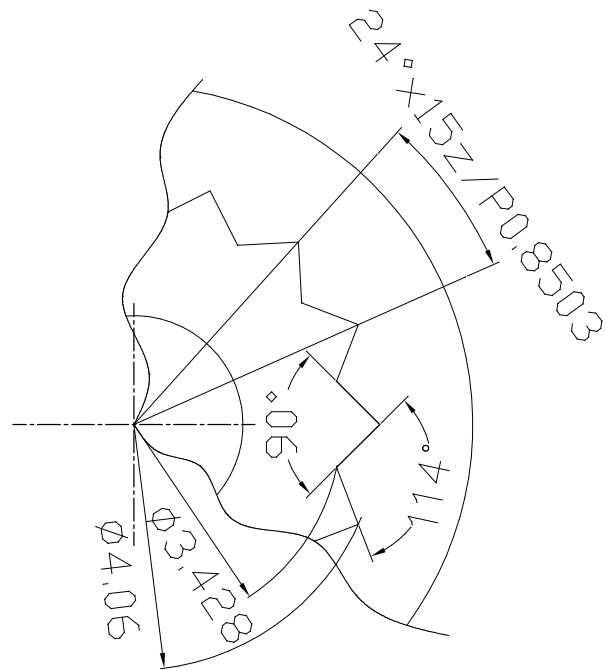
F15T ($\varnothing 4.0$)

◀ HOME

[FS-IL15](#)
[FS-IS15](#)
[FS-X15](#)
[HD-M15-L](#)
[FS-IXL15](#)

HORN SPLINE

GEAR SPLINE



Depth 2.5mm



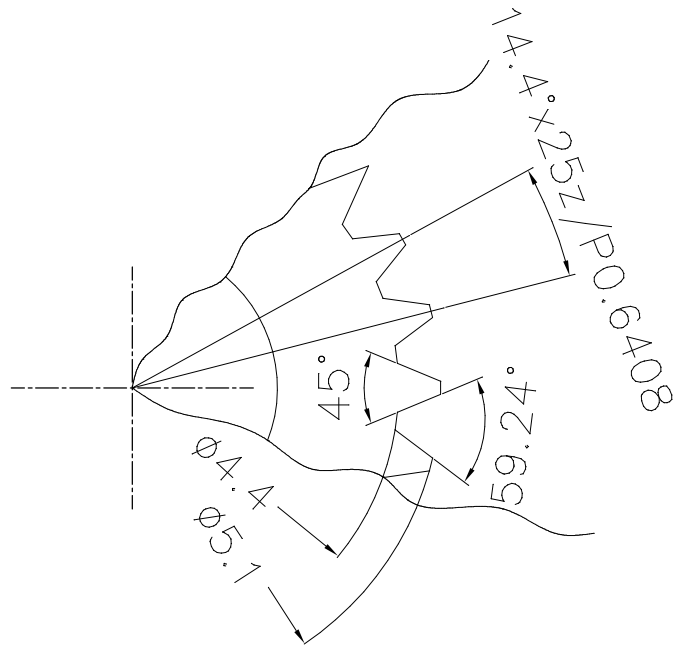
Micro 25T ($\varnothing 5.0$)

◀ HOME

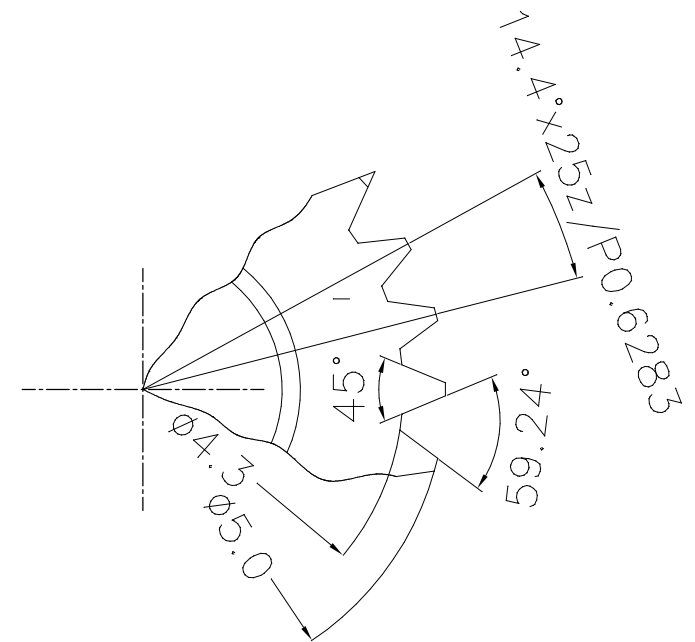
[MS-I25](#)
[MS-L25](#)
[MS-X25](#)
[MS-ML25](#)

HORN SPLINE

GEAR SPLINE



Depth 3.0mm

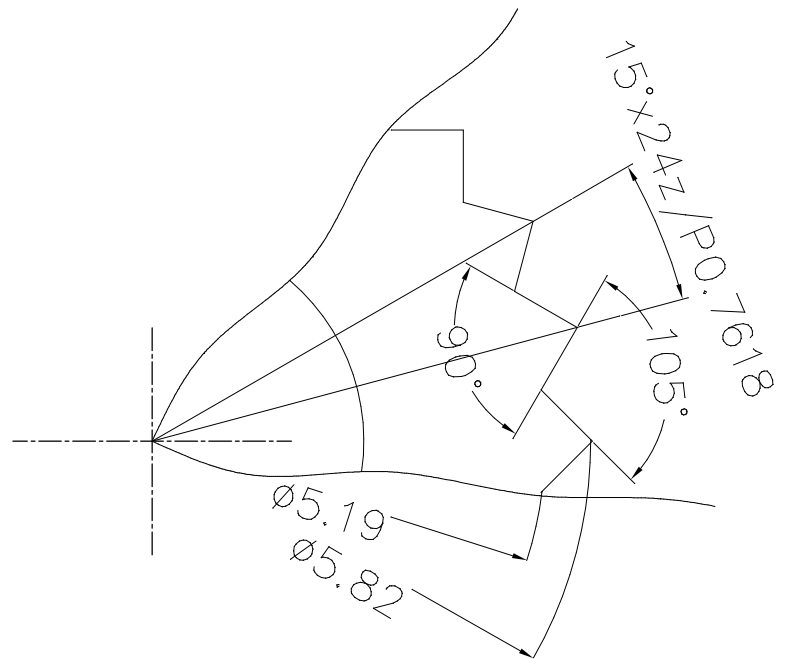




H24T ($\varnothing 5.76$)

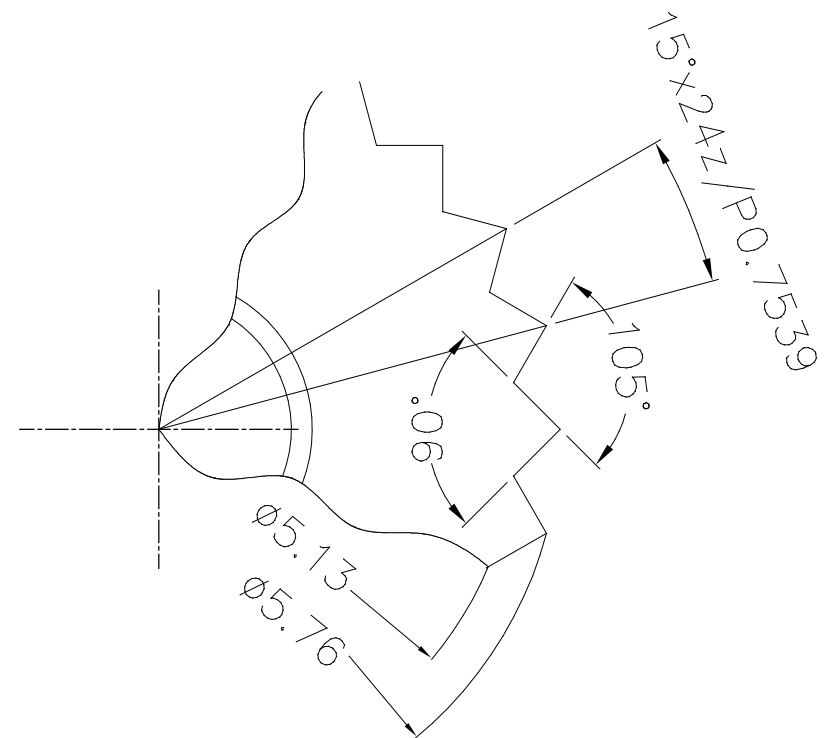
- [M-I24](#)
- [M-X24](#)
- [M-O24](#)
- [R-O24](#)
- [R-I24](#)
- [R-X24](#)
- [R-C](#)
- [R-D](#)
- [HD-IL24](#)
- [HD-IM24](#)
- [HD-IS24](#)
- [HD-LS24](#)
- [HD-IG24](#)
- [HD-LL24](#)
- [HD-LG24](#)
- [HD-OS24](#)
- [Q-O24](#)
- [Q-I24](#)
- [Q-X24](#)
- [R-XA24](#)
- [SP-24](#)
- [715SA-24](#)
- [R-ML24](#)
- [R-MO24](#)
- [Q-MI24](#)

HORN SPLINE



Depth 3.0mm

GEAR SPLINE





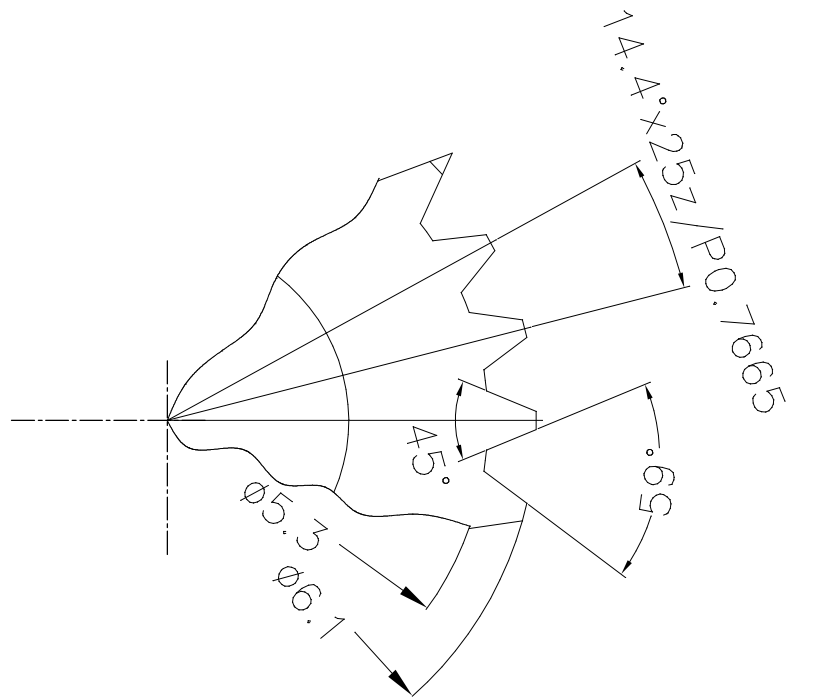
H25T ($\varnothing 6.0$)

◀ HOME

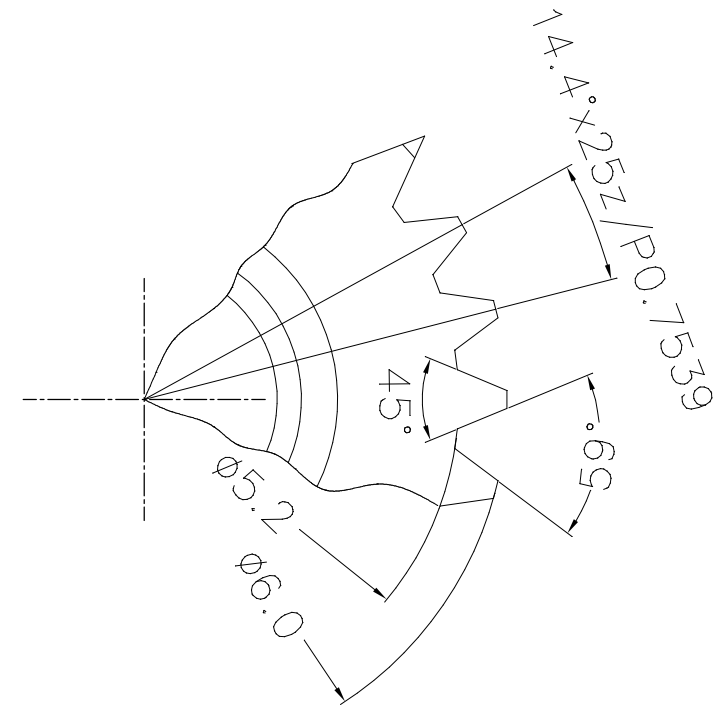
- [HD-IM25](#)
- [HD-LS25](#)
- [HD-OS25](#)
- [HD-XS25](#)
- [HD-IL25](#)
- [HD-LL25](#)
- [HD-IG25](#)
- [HD-LG25](#)
- [M-O25](#)
- [M-I25](#)
- [M-X25](#)
- [R-O25](#)
- [R-I25](#)
- [R-X25](#)
- [SP-25](#)
- [R-ML25](#)

HORN SPLINE

GEAR SPLINE



Depth 3.7mm

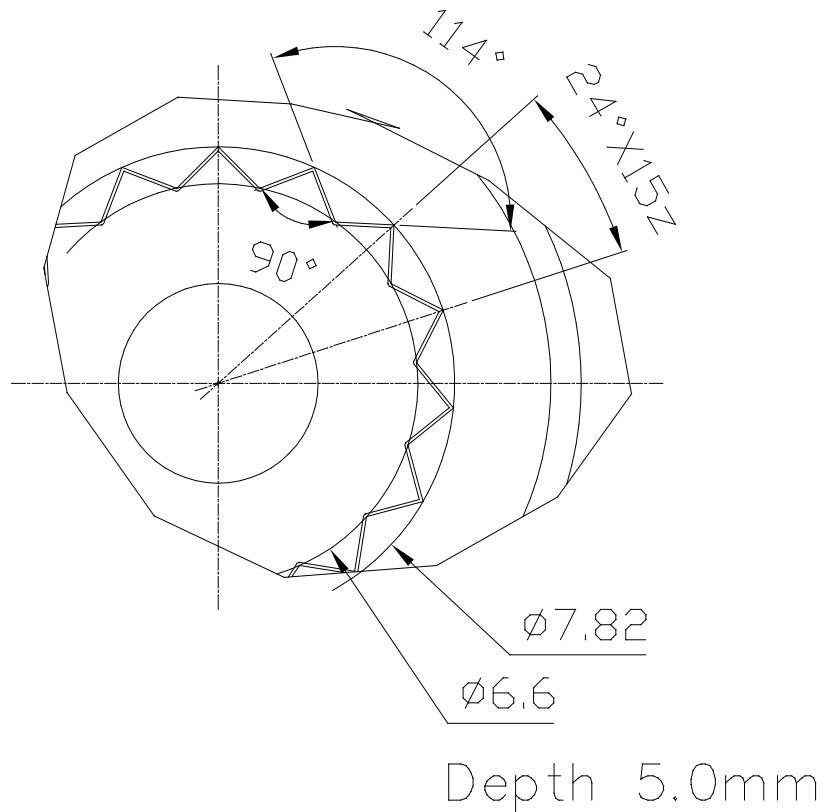




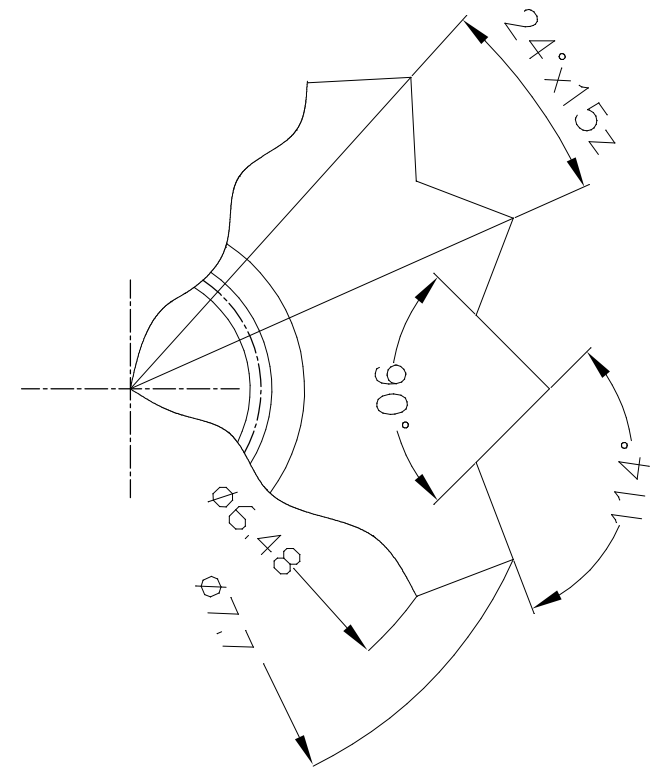
15T ($\varnothing 8.0$)

[Q-OA15](#)
[Q-IA15](#)
[Q-XA15](#)
[825SA-15](#)
[Q-MIA15](#)
[I-MO15](#)

HORN SPLINE



GEAR SPLINE





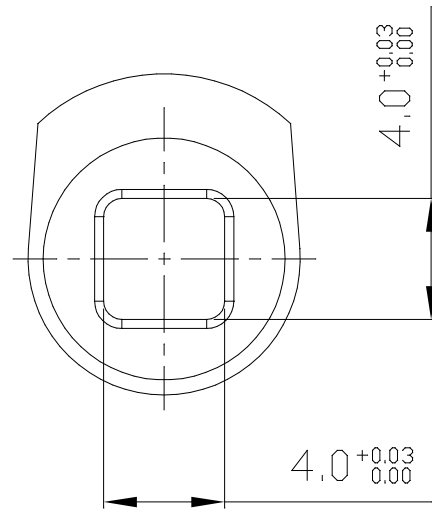
Square (4x4)

◀ HOME

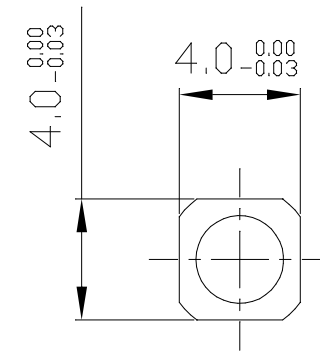
[MIS4-A](#)

HORN SPLINE

GEAR SPLINE



Depth 6.0mm





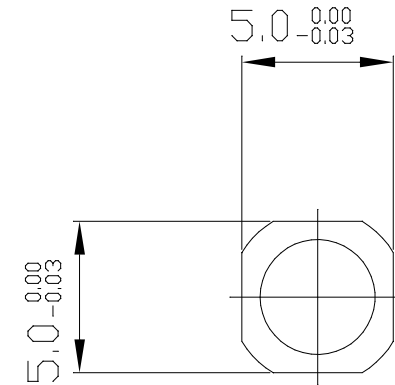
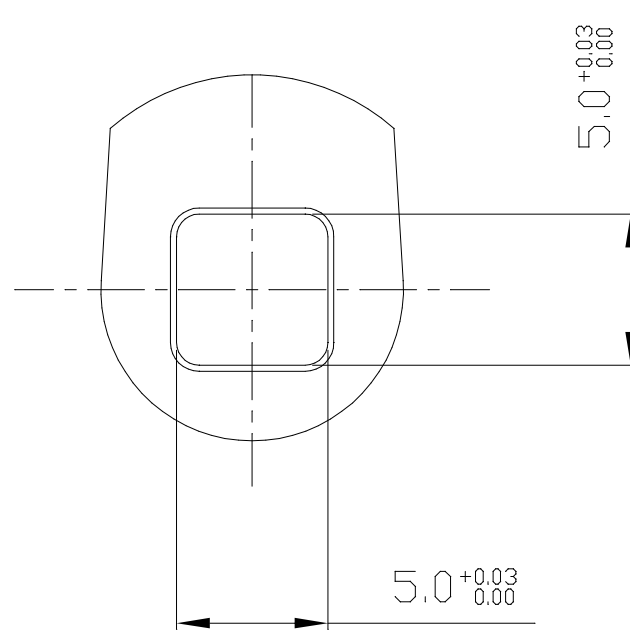
Square (5x5)

◀ HOME

[MIS5-A](#)

HORN SPLINE

GEAR SPLINE



Depth 6.0mm




Square (6.5x6.5)

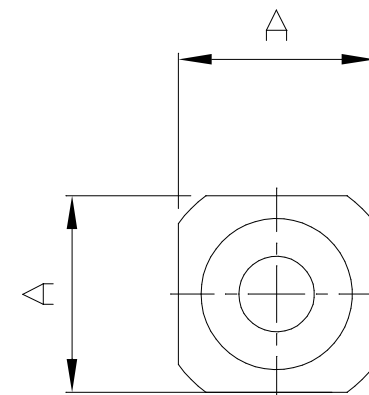
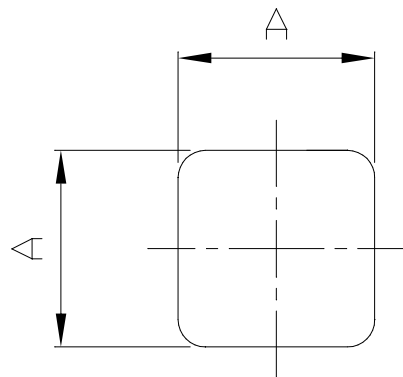
[MOS6.5-S](#)
[MOS6.5-A](#)
[MIS6.5-A](#)

HORN SPLINE

GEAR SPLINE

	MOS6.5-S : $6.5 \begin{smallmatrix} +0.03 \\ 0 \end{smallmatrix}$
	MOS6.5-A : $6.5 \begin{smallmatrix} +0.1 \\ 0 \end{smallmatrix}$
	MIS6.5-A : $6.5 \begin{smallmatrix} +0.05 \\ 0 \end{smallmatrix}$

	MOS6.5-S : $6.5 \begin{smallmatrix} 0 \\ -0.02 \end{smallmatrix}$
	MOS6.5-A : $6.5 \begin{smallmatrix} -0.01 \\ -0.05 \end{smallmatrix}$
	MIS6.5-A : $6.5 \begin{smallmatrix} -0.01 \\ -0.05 \end{smallmatrix}$



Depth (MOS6.5-S) : 12.0mm
 Depth (MOS6.5-A/MIS6.5-A) : 10.0mm

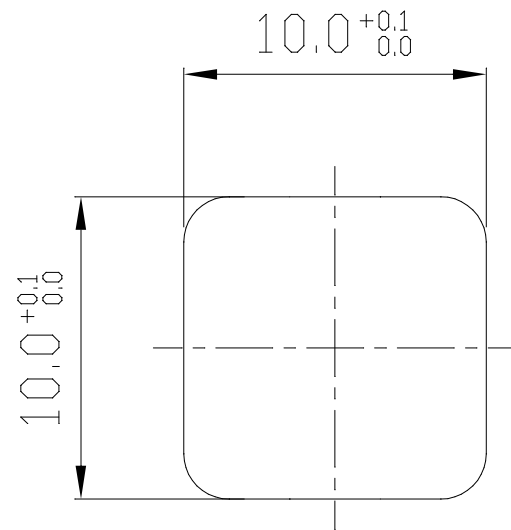


Square (10x10)

◀ HOME

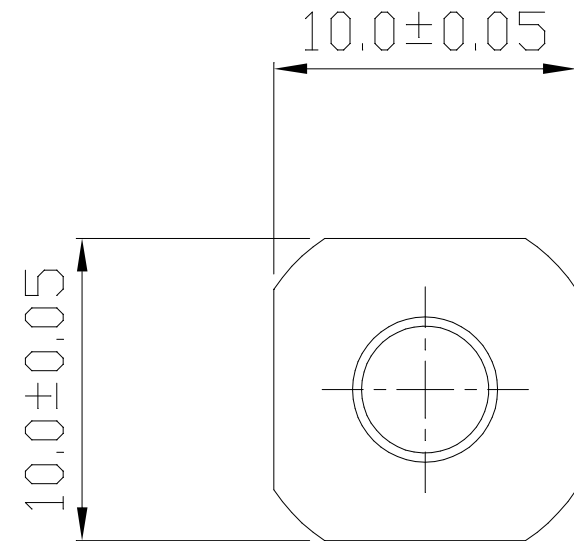
[MOS10-A](#)

HORN SPLINE



Depth 15.0mm

GEAR SPLINE





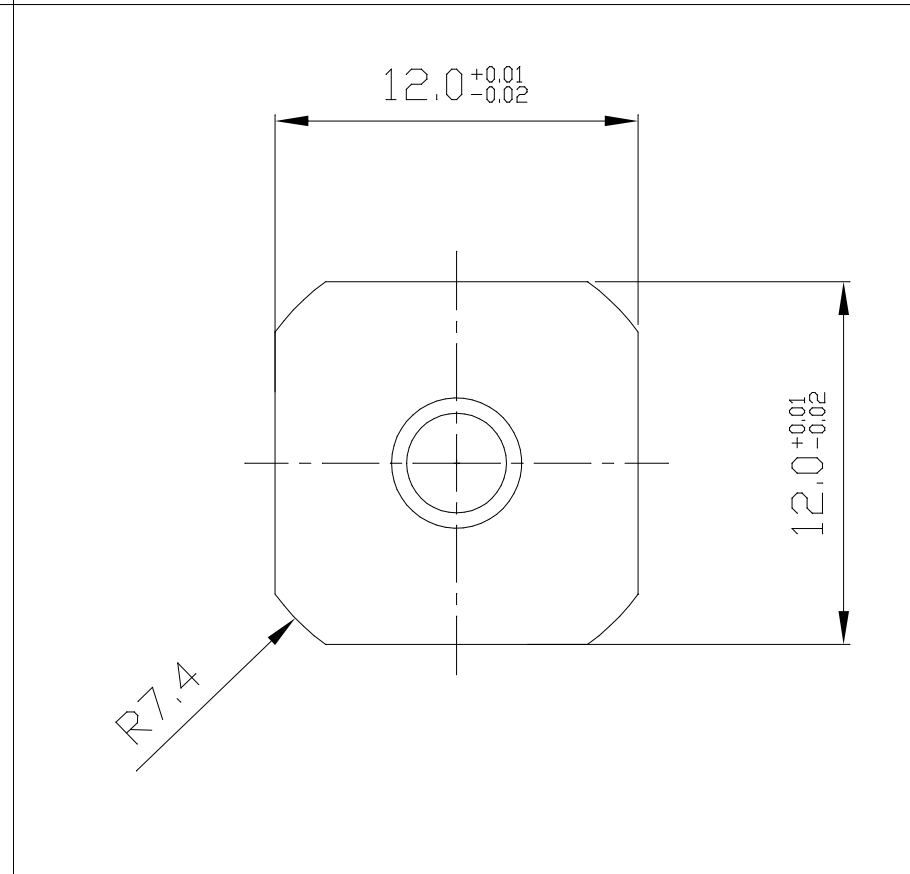
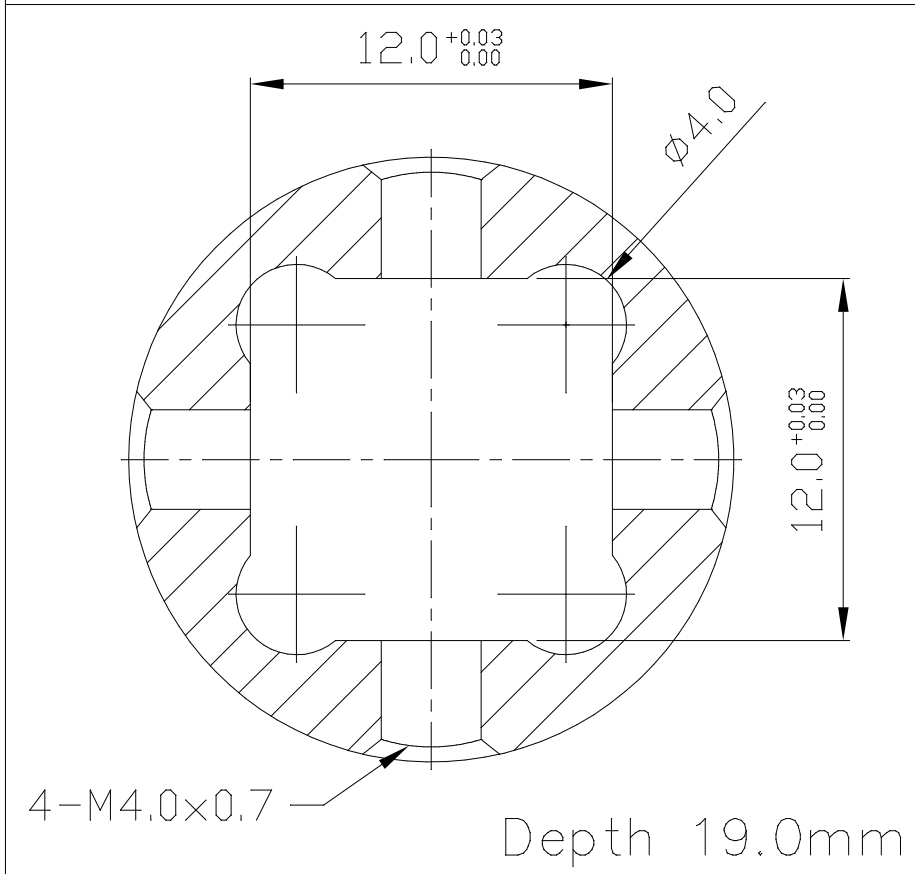
Square (12x12)

◀ HOME

[MOS12-S](#)

HORN SPLINE

GEAR SPLINE



[Revision History]

Rev.	Date	Description	Remark
B	2022-05-11	1. Q-MI : Sort 변경 15T -> H24T 2. MIS4-A : Tap 규격 변경	